

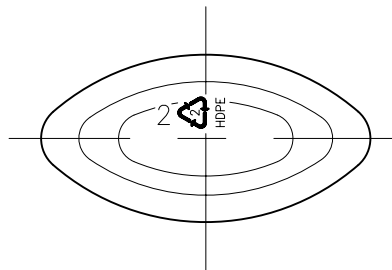
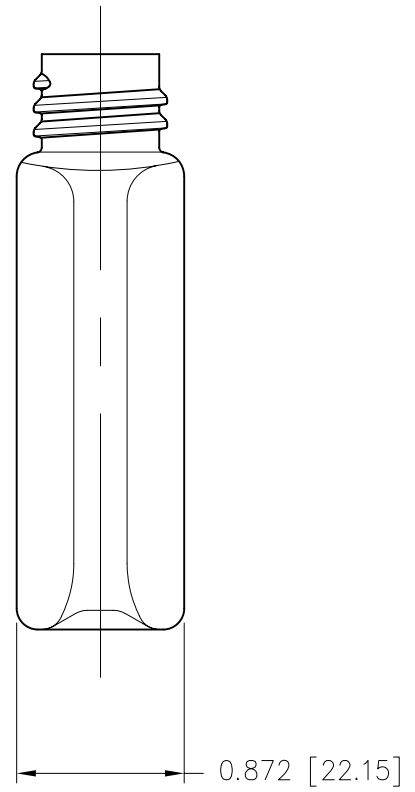
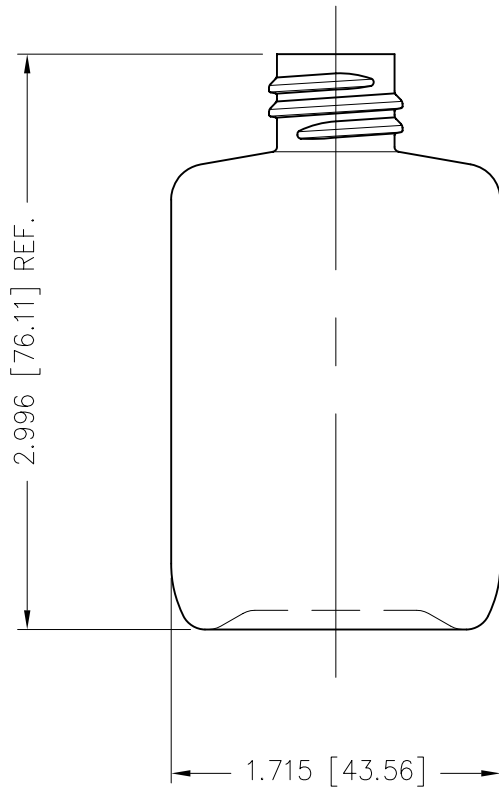
NECK FINISH:	M18-SP410	GRAM WEIGHT:	5.0g±1.0g
BOTTLE MAT.:	HDPE	OVER-FLOW:	42ml±2.5ml
DESC.	1 1/4oz. OVAL		



PROJECT NO.: 4-4454-P

SCALE: 1:1

REV.: B



NECK FINISH:	18-415 SP.	GRAM WEIGHT:	5.0g±1.0g
BOTTLE MAT.:	HDPE	OVER-FLOW:	42ml±2.5ml
DESC.	1 1/4oz. OVAL		

**Matrix**  
PACKAGING INC.

PROJECT NO.: 4-4454-P

SCALE: 1:1

REV.: B