

|              |             |              |            |
|--------------|-------------|--------------|------------|
| NECK FINISH: | M24-SP410   | GRAM WEIGHT: | 31.0g±1.5g |
| BOTTLE MAT.: | OPET        | OVER-FLOW:   | 366ml±9ml  |
| DESC.        | 12oz BULLET |              |            |

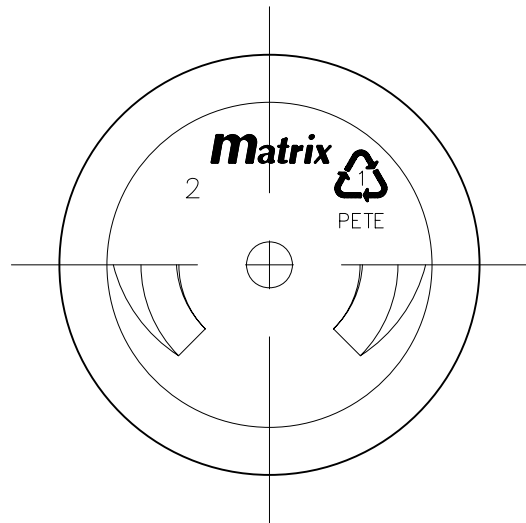
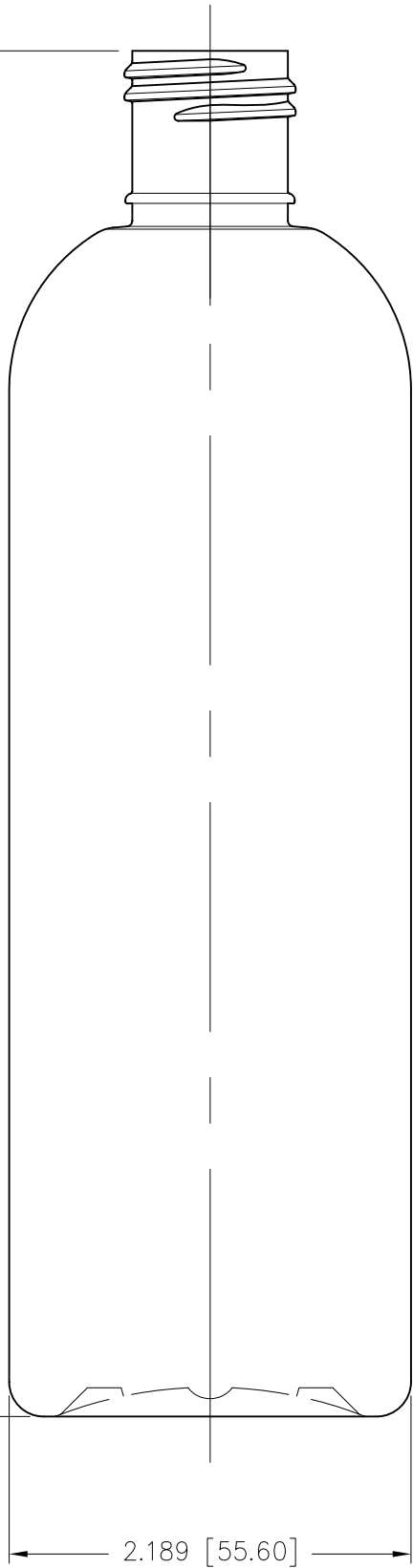


PROJECT NO.: 4-4241-P

SCALE: 1:1

REV.: A

7.449 [189.20] REF.



|              |             |              |            |
|--------------|-------------|--------------|------------|
| NECK FINISH: | M24-SP415   | GRAM WEIGHT: | 32.2g±1.5g |
| BOTTLE MAT.: | OPET        | OVER-FLOW:   | 366ml±9ml  |
| DESC.        | 12oz BULLET |              |            |



PROJECT NO.: 4-4241-P

SCALE: 1:1

REV.: A