

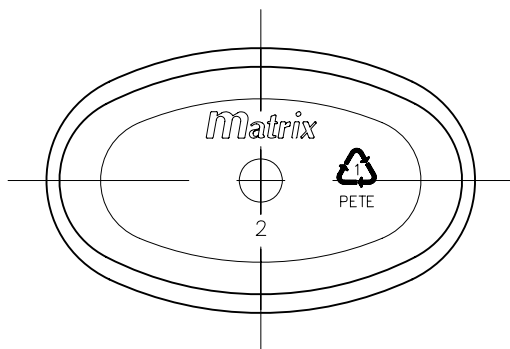
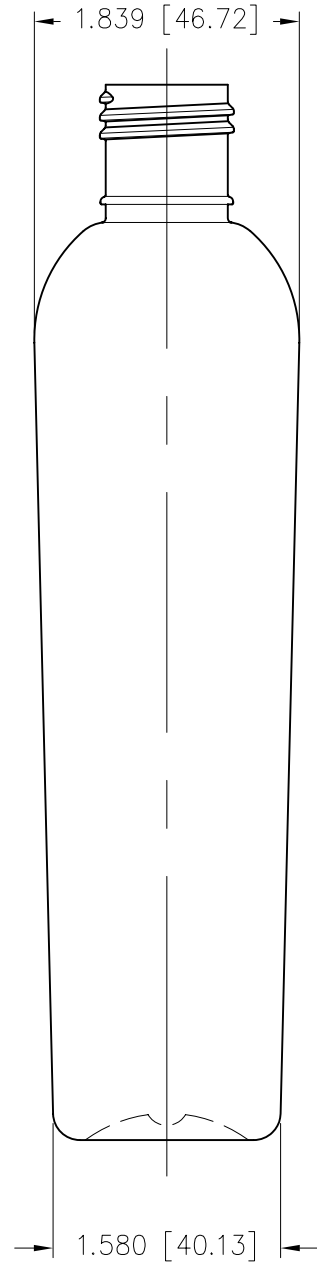
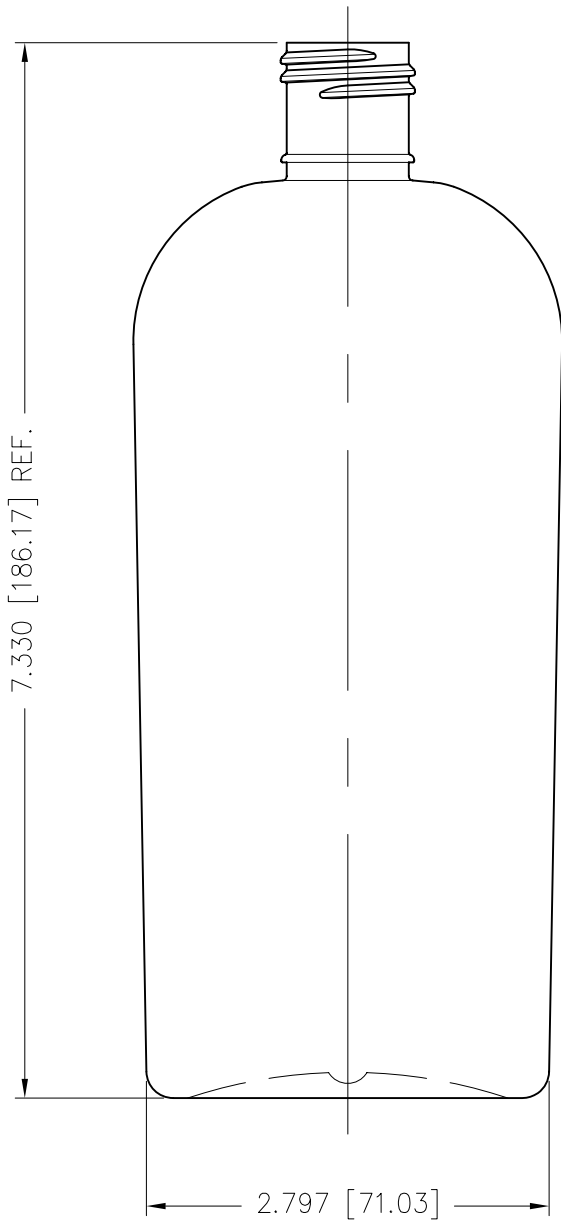
NECK FINISH:	M24-SP410	GRAM WEIGHT:	31.0g±1.0g
BOTTLE MAT.:	OPET	OVER-FLOW:	382ml±9ml
DESC.	12oz OPET VALE		

Matrix
PACKAGING INC.

PROJECT NO.: 4-4242-P

SCALE: 3:4

REV.: A



NECK FINISH:	M24-SP415	GRAM WEIGHT:	32.2g±1.0g
BOTTLE MAT.:	OPET	OVER-FLOW:	384ml±9ml
DESC.	12oz OPET VALE		

Matrix
PACKAGING INC.

PROJECT NO.: 4-4242-P

SCALE: 3:4

REV.: A