

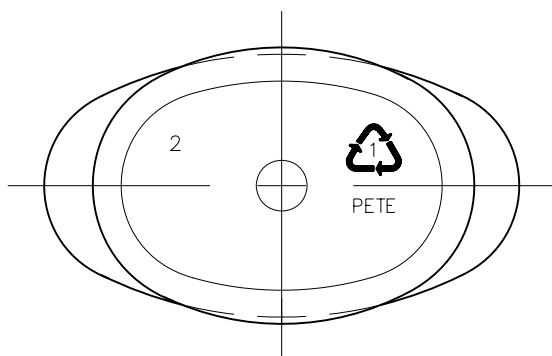
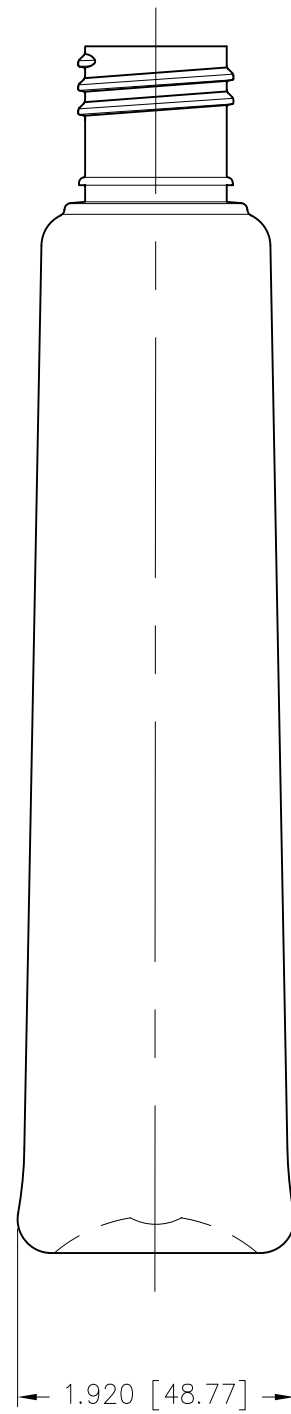
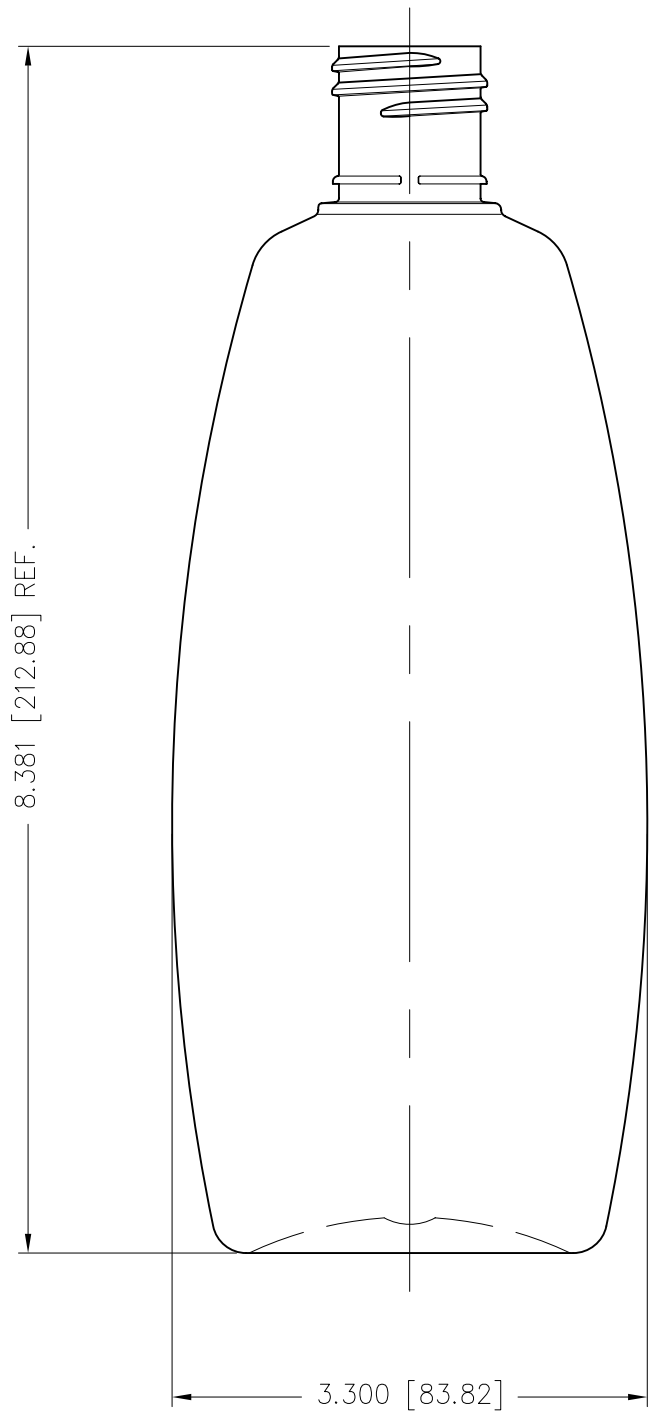
NECK FINISH:	M28-SP410	GRAM WEIGHT:	37.0g±2.5g
BOTTLE MAT.:	PETE	OVER-FLOW:	460ml±11ml
DESC.	15oz OPET CUSTOM OBLONG		



PROJECT NO.: 4-4354

SCALE: 3:4

REV.: C



NECK FINISH:	M28-SP415	GRAM WEIGHT:	37.0g±2.5g
BOTTLE MAT.:	PETE	OVER-FLOW:	465ml±11ml
DESC.	15oz OPET CUSTOM OBLONG		

**Matrix**  
PACKAGING INC.

PROJECT NO.: 4-4354

SCALE: 3:4

REV.: C