

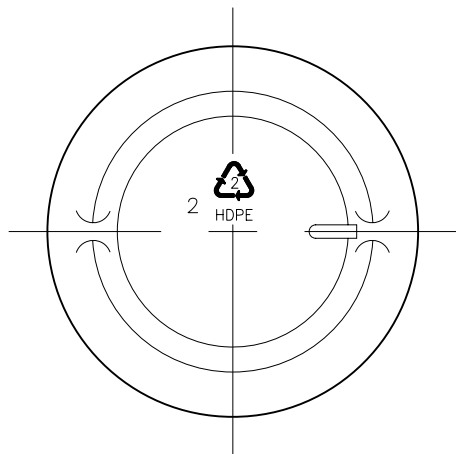
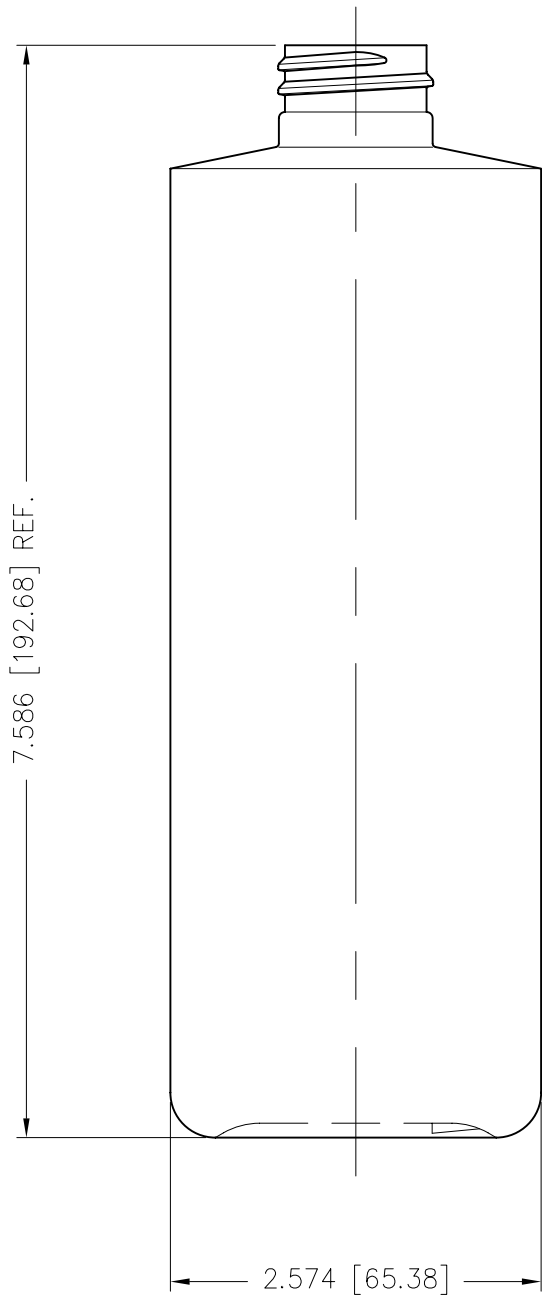
NECK FINISH:	M24-SP410	GRAM WEIGHT:	31.0g±2.0g
BOTTLE MAT.:	HDPE	OVER-FLOW:	541ml±13ml
DESC. 16oz CYLINDER			



PROJECT NO.: 4-12600-3

SCALE: 3:4

REV.: B



NECK FINISH: M28-SP410	GRAM WEIGHT: 31.0g±2.0g
BOTTLE MAT.: HDPE	OVER-FLOW: 544ml±13ml
DESC. 16oz CYLINDER	

Matrix
PACKAGING INC.

PROJECT NO.: 4-12600-3

SCALE: 3:4

REV.: B