

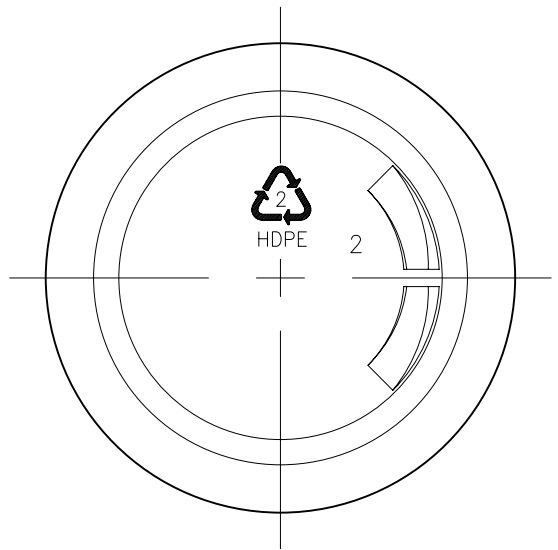
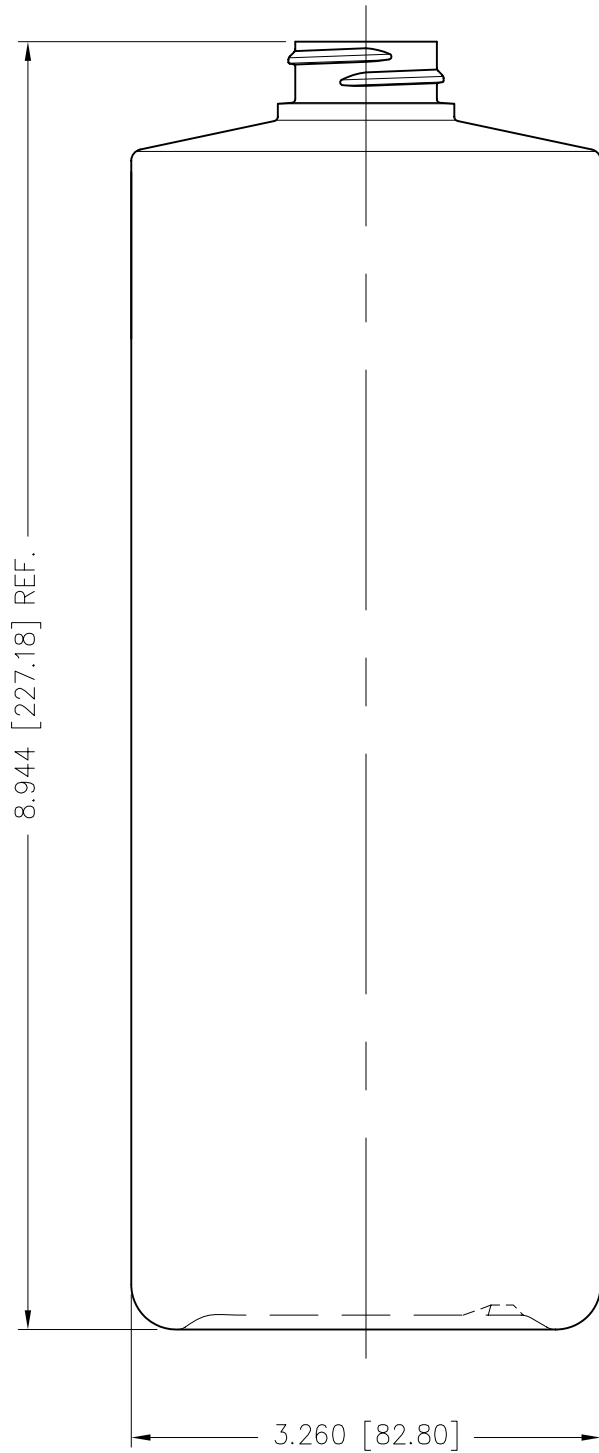
NECK FINISH:	M24-SP410	GRAM WEIGHT:	55.0g±3.0g
BOTTLE MAT.:	HDPE	OVER-FLOW:	1063ml±15ml
DESC.	1L CYLINDER		



PROJECT NO.: 4-10008-3

SCALE: 3:4

REV.: E



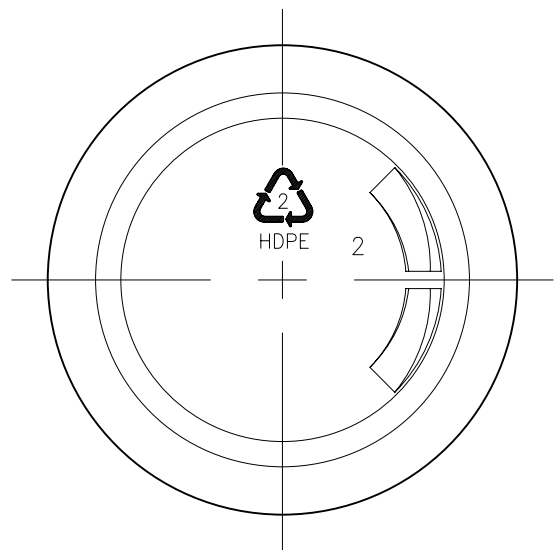
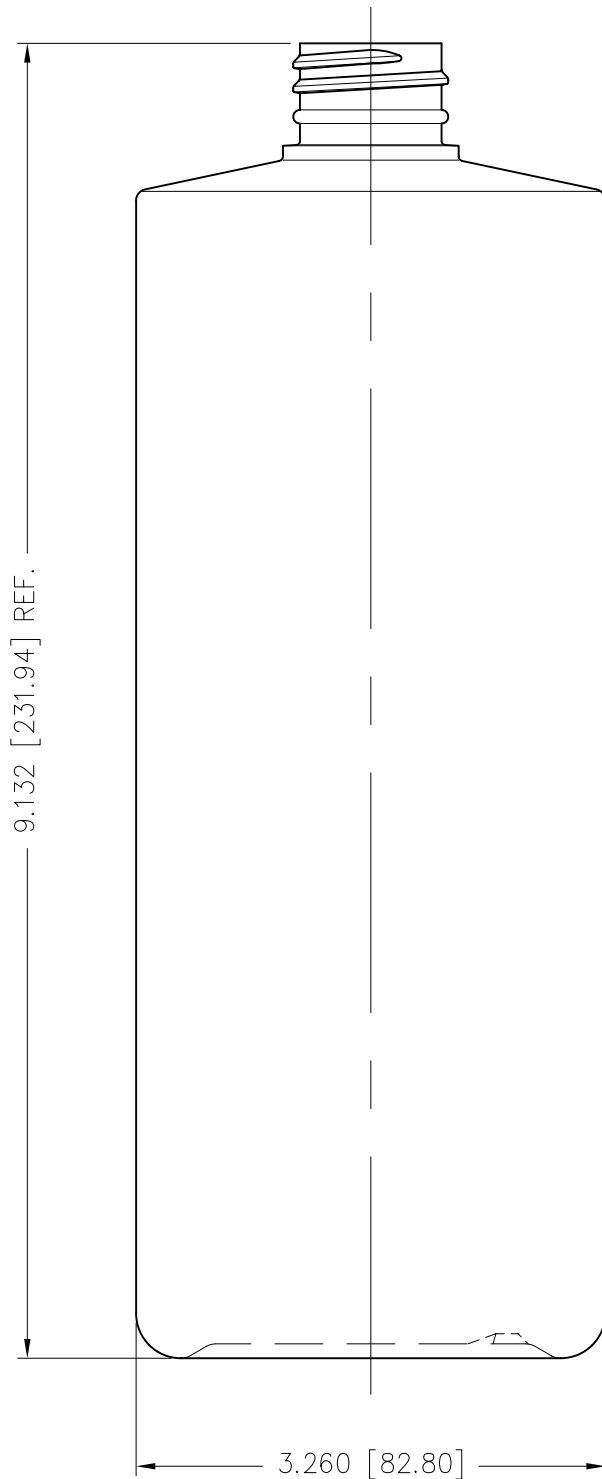
NECK FINISH:	M28-SP400	GRAM WEIGHT:	53.0g±3.0g
BOTTLE MAT.:	HDPE	OVERFLOW:	1072ml±15ml
DESC.	1L CYLINDER		



PROJECT NO.: 4-10008-3

SCALE: 3:4

REV.: E



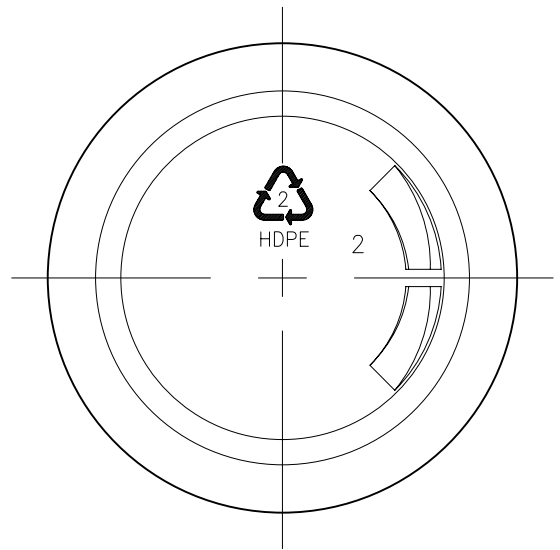
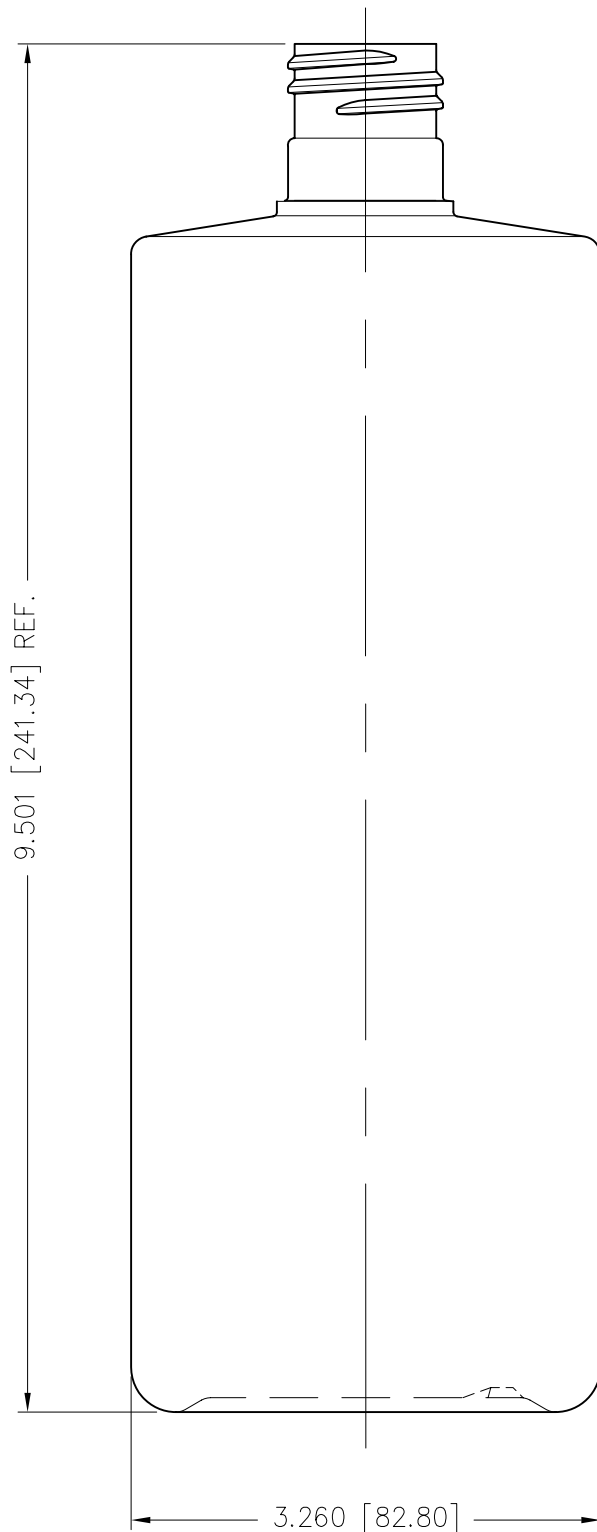
NECK FINISH: M28-SP410	GRAM WEIGHT: 64g±2g
BOTTLE MAT.: HDPE	OVER-FLOW: 1065ml±10ml
DESC. 1L CYLINDER	



PROJECT NO.: 4-10008-3

SCALE: 3:4

REV.: E



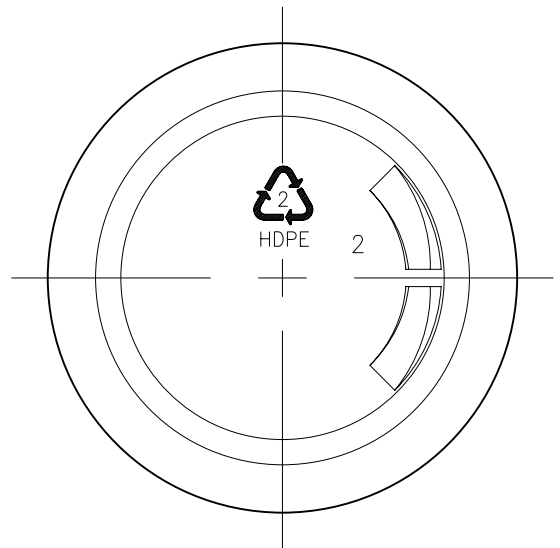
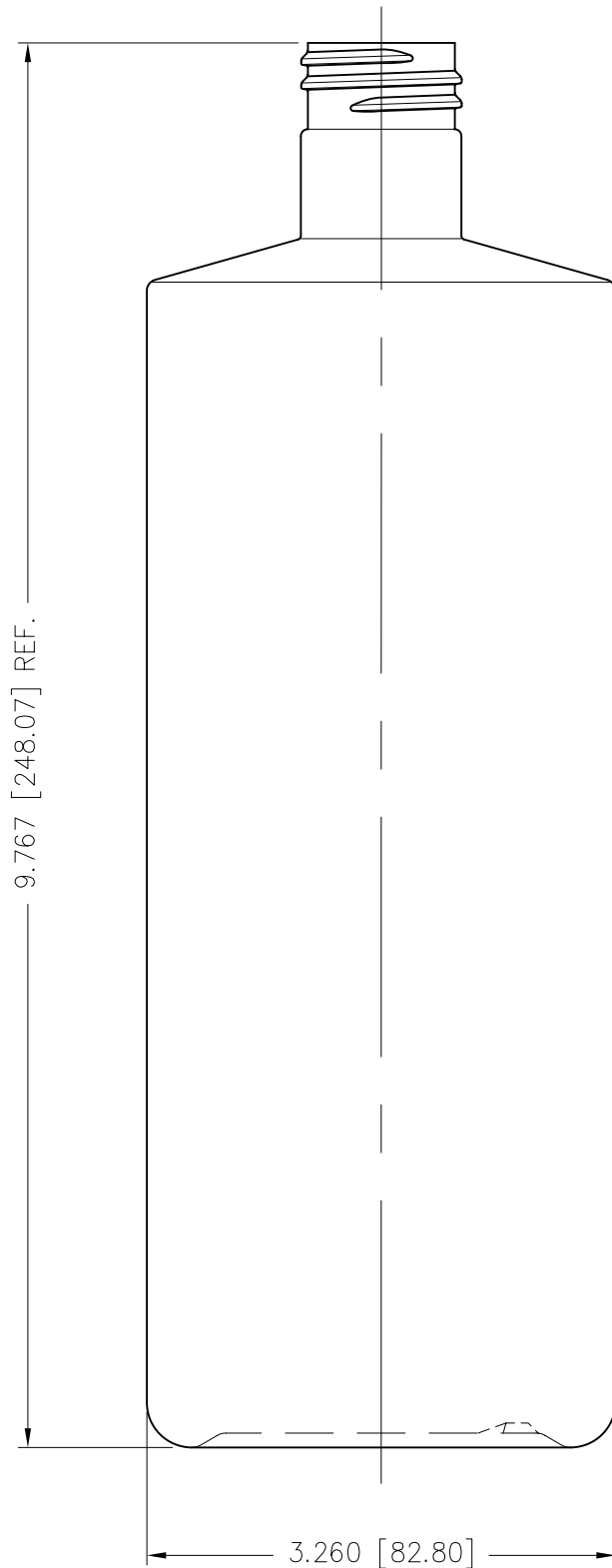
NECK FINISH:	M28-SP415	GRAM WEIGHT:	64.0g±2.0g
BOTTLE MAT.:	HDPE	OVERFLOW:	1065ml±10ml
DESC.	1L CYLINDER		



PROJECT NO.: 4-10008-3

SCALE: 3:4

REV.: E



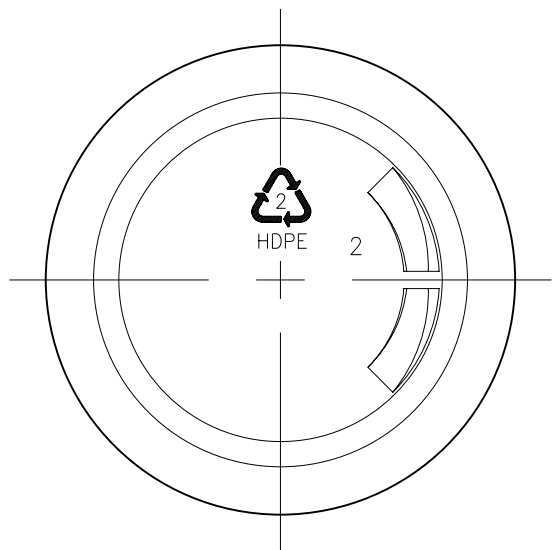
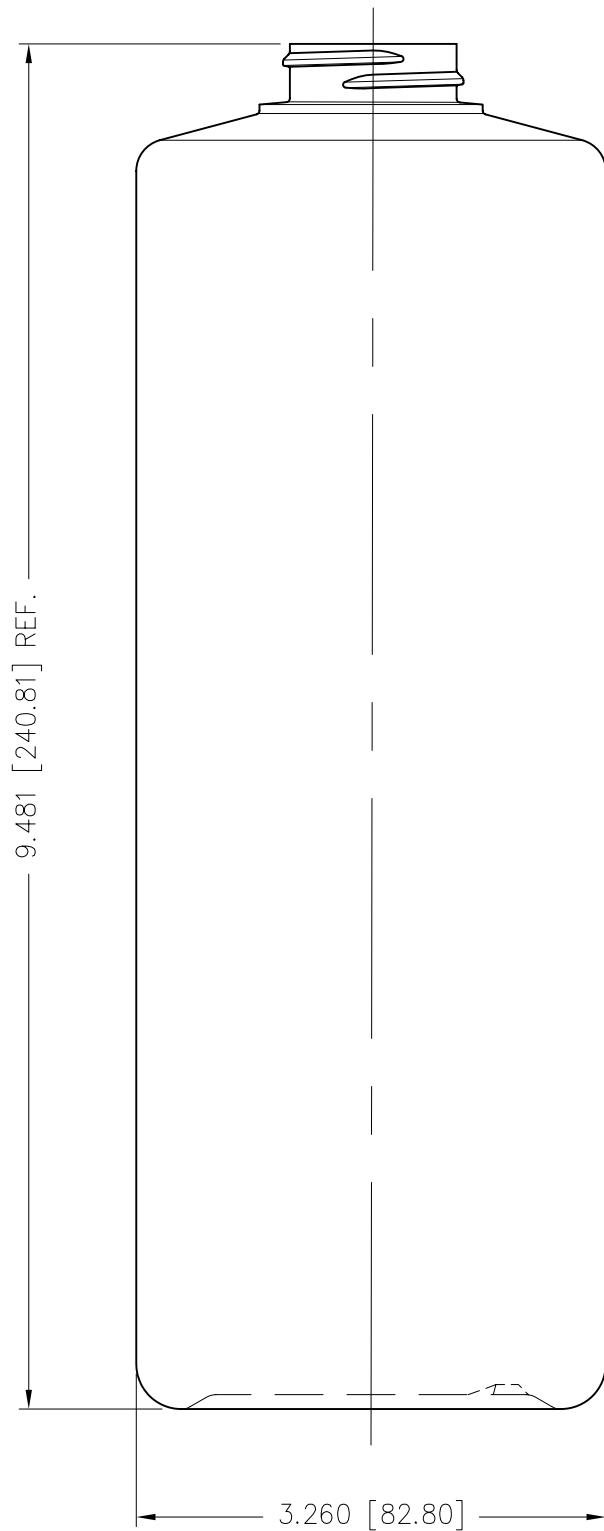
NECK FINISH:	30mm SP.	GRAM WEIGHT:	56.0g±3.0g
BOTTLE MAT.:	HDPE	OVERFLOW:	1076ml±15ml
DESC. 1L CYLINDER			



PROJECT NO.: 4-10008-3

SCALE: 3:4

REV.: E



NECK FINISH:	M33-SP400	GRAM WEIGHT:	58.0g±3.0g
BOTTLE MAT.:	HDPE	OVER-FLOW:	1148ml±20ml
DESC. 1L CYLINDER			



PROJECT NO.: 4-10008-3

SCALE: 3:4

REV.: E