

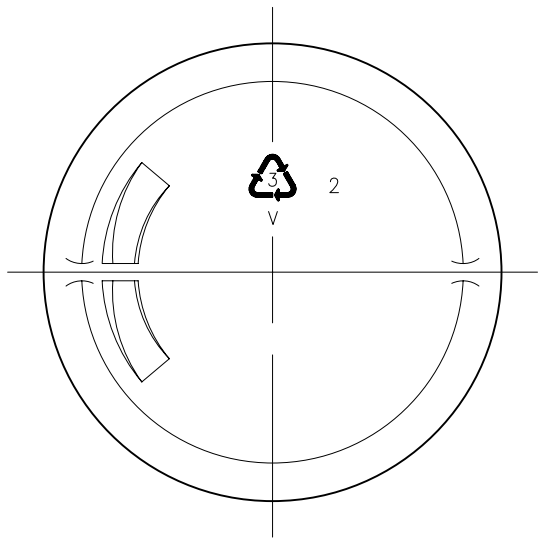
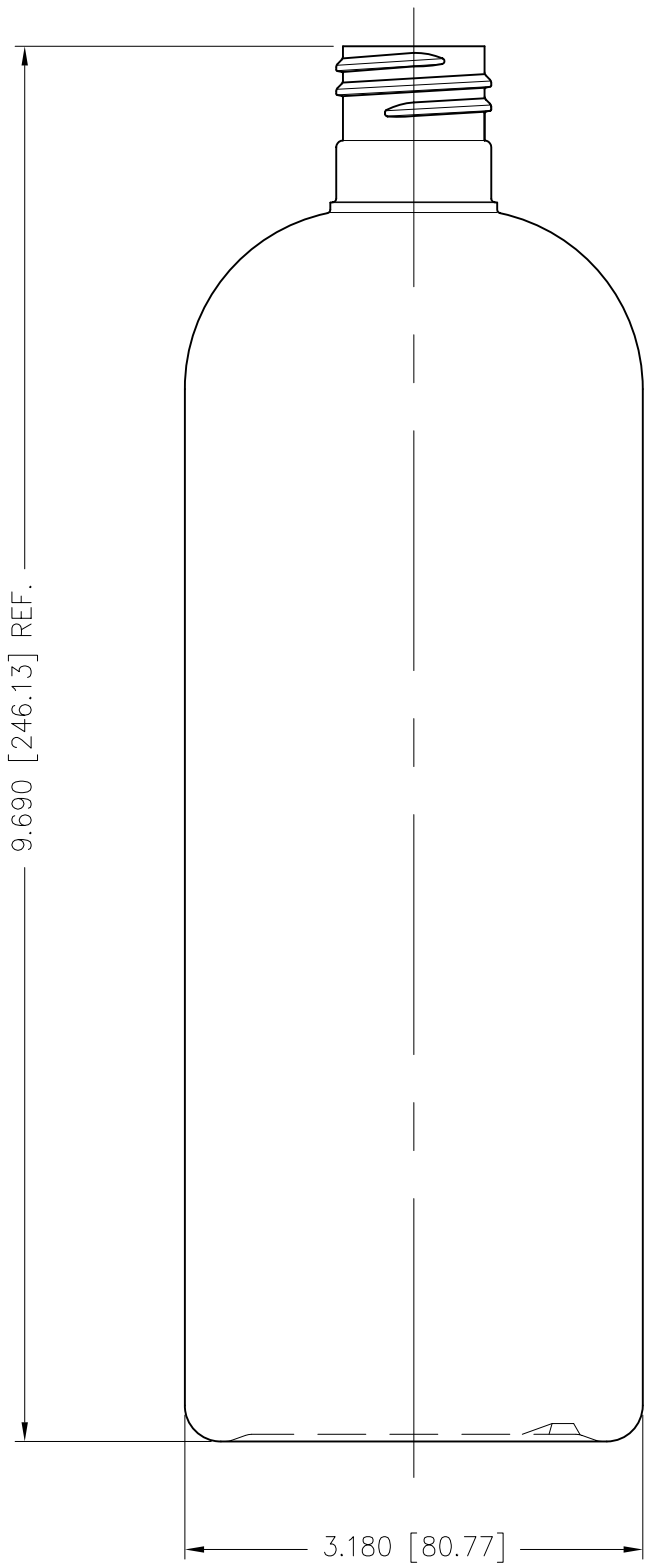
NECK FINISH:	M33-SP410	GRAM WEIGHT:	53.0g±3.0g
BOTTLE MAT.:	PVC	OVER FLOW:	1032ml±15ml
DESC.	1L PVC CYLINDER		



PROJECT NO. 4-4106-P

SCALE: 3:4

REV.: A



NECK FINISH:	M28-SP415	GRAM WEIGHT:	53.0g±3.0g
BOTTLE MAT.:	PVC	OVER-FLOW:	1036ml±15ml
DESC.	1L PVC CYLINDER		



PROJECT NO. 4-4106-P

SCALE: 3:4

REV.: A