

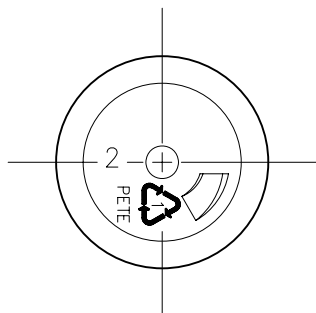
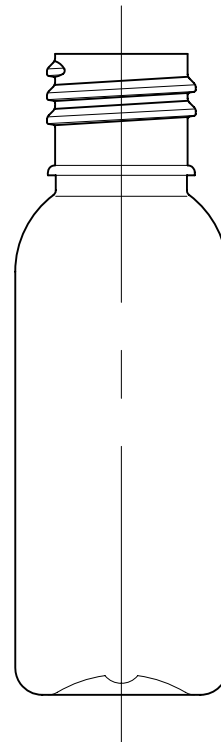
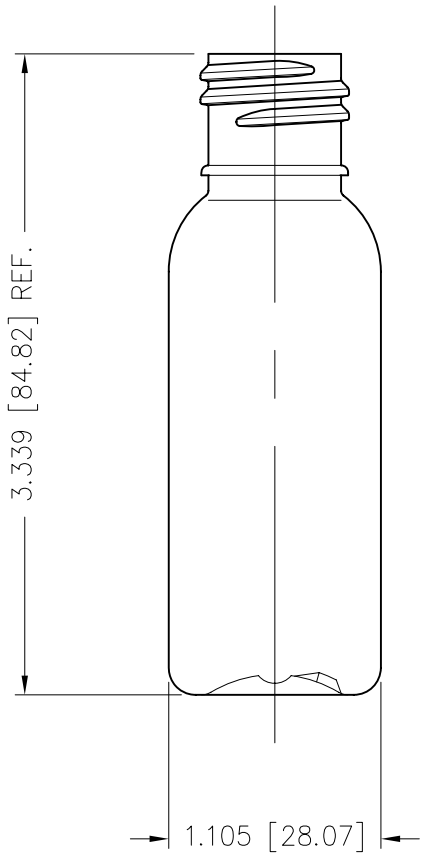
NECK FINISH:	M20-SP410	GRAM WEIGHT:	9.5g±1.5g
BOTTLE MAT.:	PETE	OVER-FLOW:	35.5ml±2ml
DESC.	1oz. SOFT SHOULDER BULLET		

Matrix
PACKAGING INC.

PROJECT NO.: 4-4330-P

SCALE: 1:1

REV.: A



NECK FINISH:	M20-SP415 SP.	GRAM WEIGHT:	10.0g±1.5g
BOTTLE MAT.:	PETE	OVER-FLOW:	37ml±2ml
DESC.	1oz. SOFT SHOULDER BULLET		

Matrix
PACKAGING INC.

PROJECT NO.: 4-4330-P

SCALE: 1:1

REV.: C