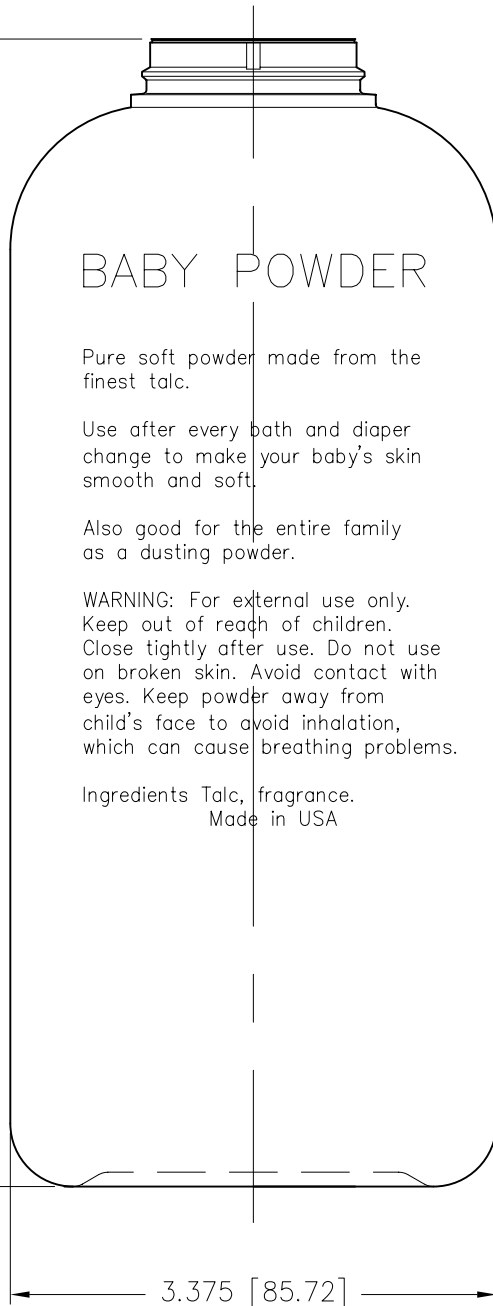
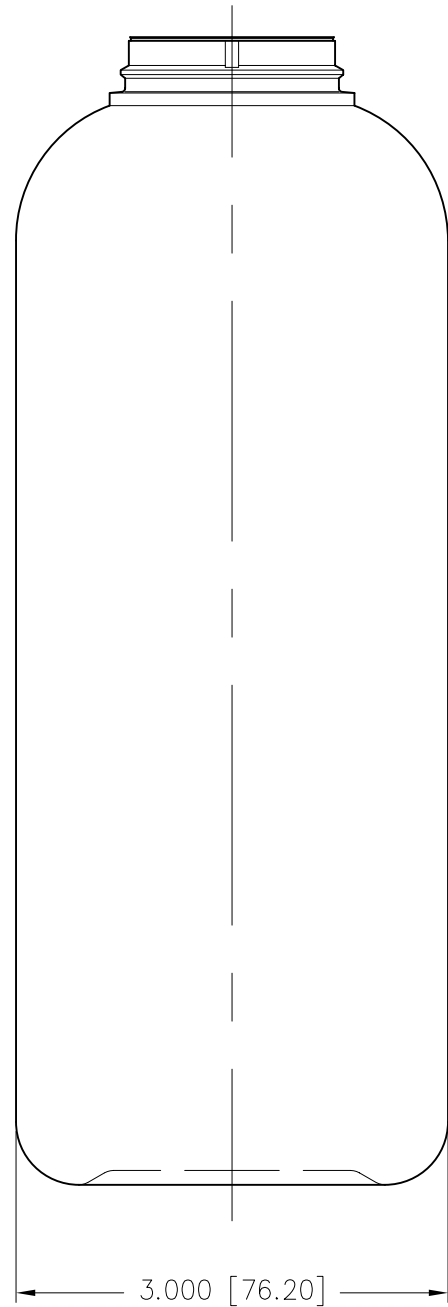


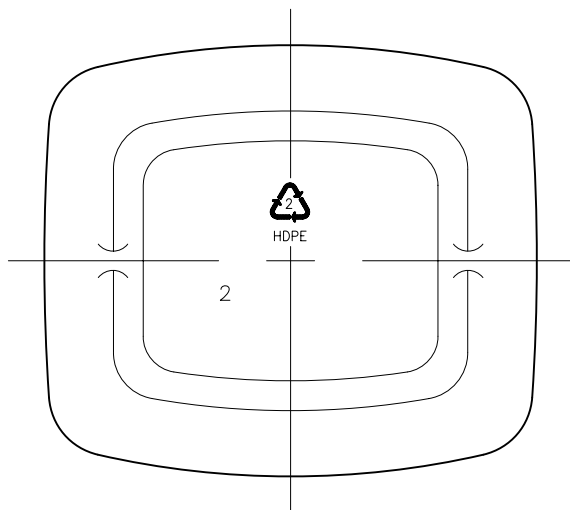
7.970 [202.44] REF.



3.375 [85.72]



3.000 [76.20]



NECK FINISH:	43 POWDER	GRAM WEIGHT:	59.0g±3.0g
BOTTLE MAT.:	HDPE	OVER-FLOW:	1059ml±15ml
DESC.	22oz. POWDER ENGRAVED		

**Matrix**  
PACKAGING A HUBBARD COMPANY

PROJECT NO.: MATPAC-0565

SCALE: 3:4

REV.: