

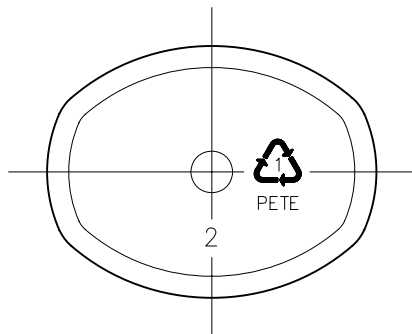
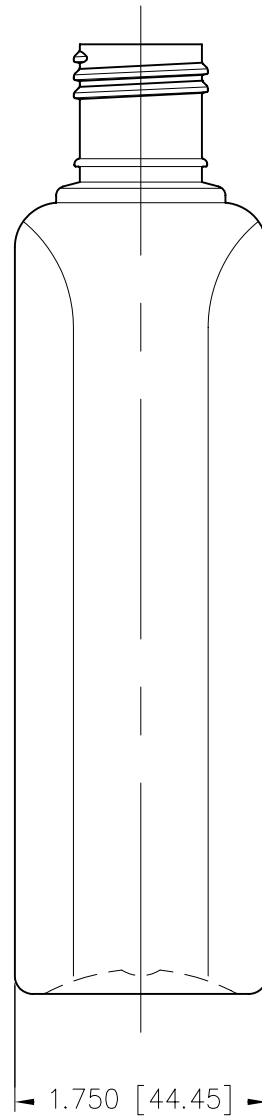
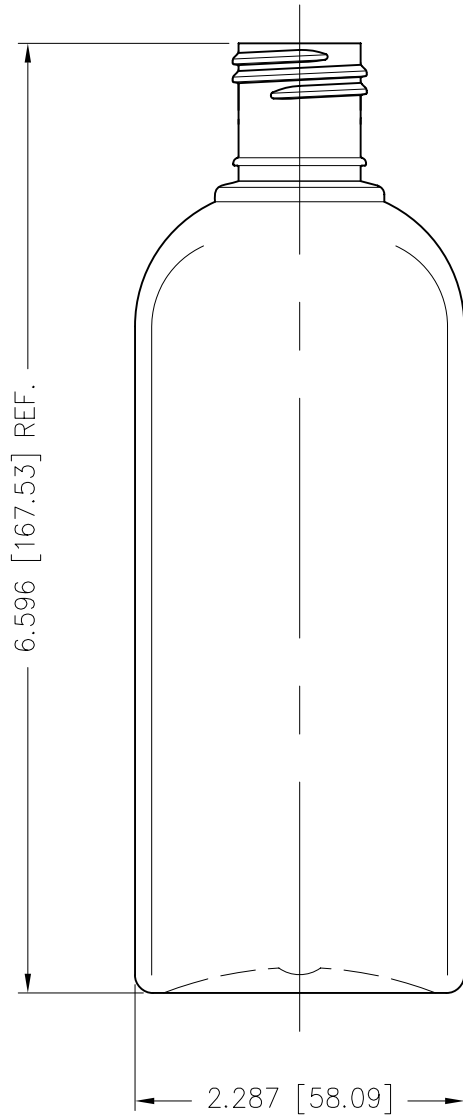
NECK FINISH:	M24-SP410	GRAM WEIGHT:	23.5g±1.0g
BOTTLE MAT.:	PETE	OVER-FLOW:	274ml±7ml
DESC.	250ml ARCHED OVAL		

Matrix
PACKAGING INC.

PROJECT NO.: 4-3945-P

SCALE: 3:4

REV.: A



NECK FINISH:	M24-SP415	GRAM WEIGHT:	23.5g±1.0g
BOTTLE MAT.:	PETE	OVER-FLOW:	276ml±7ml
DESC.	250ml ARCHED OVAL		

Matrix
PACKAGING INC.

PROJECT NO.: 4-3945-P

SCALE: 3:4

REV.: A