

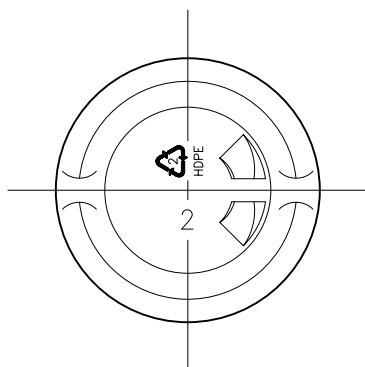
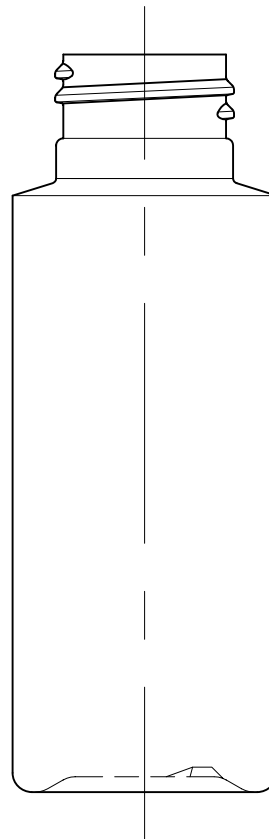
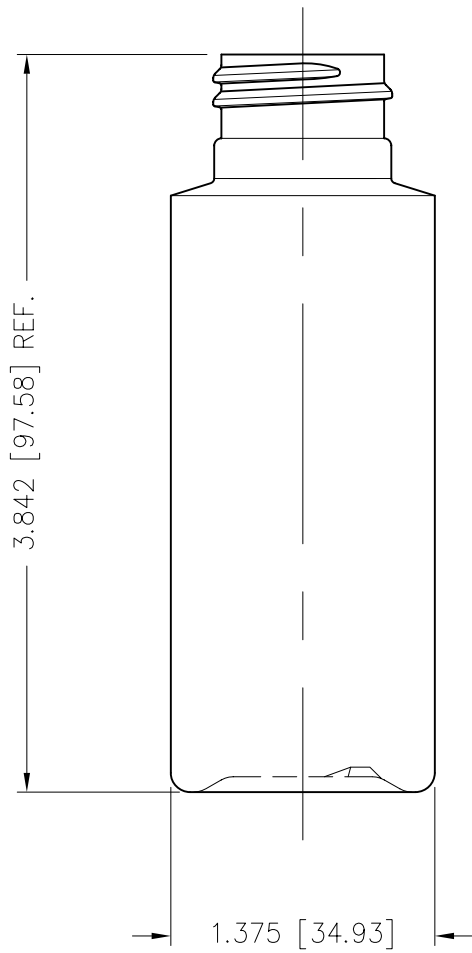
NECK FINISH:	M20-SP410	GRAM WEIGHT:	8.0g±1.0g
BOTTLE MAT.:	HDPE	OVER-FLOW:	72ml±3.5ml
DESC.	2oz. CYLINDER		

**Matrix**  
PACKAGING INC.

PROJECT NO.: 4-18416-3

SCALE: 1:1

REV.: A



NECK FINISH:	M24-SP410	GRAM WEIGHT:	8.0g±1.0g
BOTTLE MAT.:	HDPE	OVER-FLOW:	72ml±3.5ml
DESC. 2oz. CYLINDER			

**Matrix**  
PACKAGING INC.

PROJECT NO.: 4-18416-3

SCALE: 1:1

REV.: A