

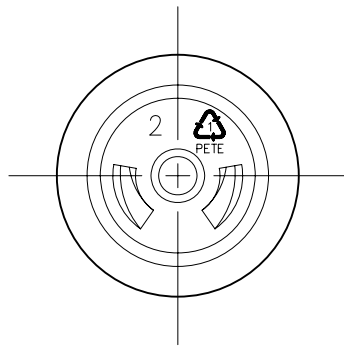
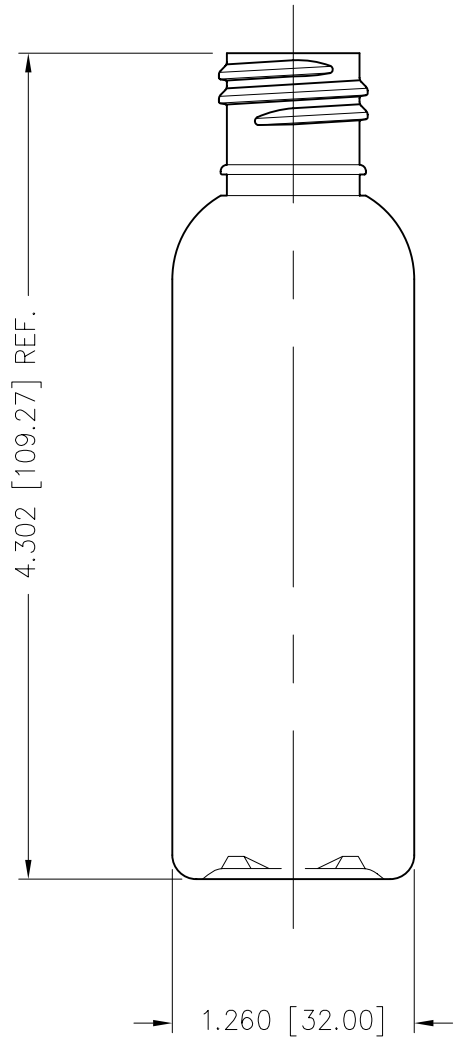
NECK FINISH:	M20 SP410	GRAM WEIGHT:	9.5g±1.5g
BOTTLE MAT.:	PETE	OVER FLOW:	67.5ml±3.5ml
DESC.	2oz PET BULLET		

**Matrix**  
PACKAGING INC.

PROJECT NO.: 4-3855-P

SCALE: 1:1

REV.: C



NECK FINISH:	M20 SP415	GRAM WEIGHT:	9.5g±1.5g
BOTTLE MAT.:	PETE	OVER FLOW:	67.5ml±3.5ml
DESC.	2oz PET BULLET		

**Matrix**  
PACKAGING INC.

PROJECT NO.: 4-3855-P

SCALE: 1:1

REV.: C