

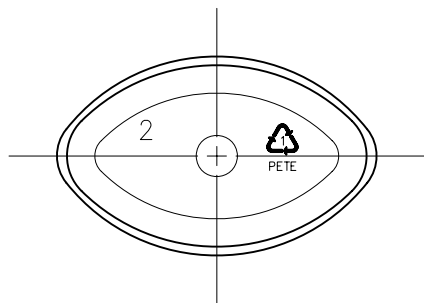
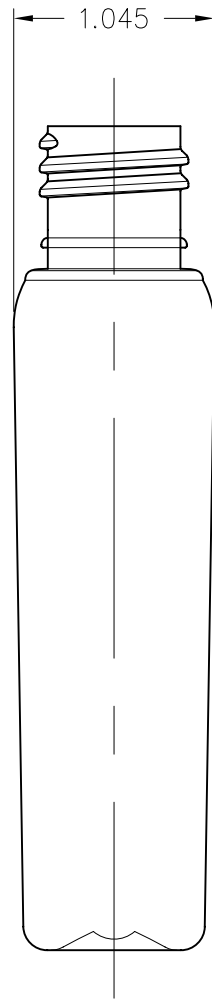
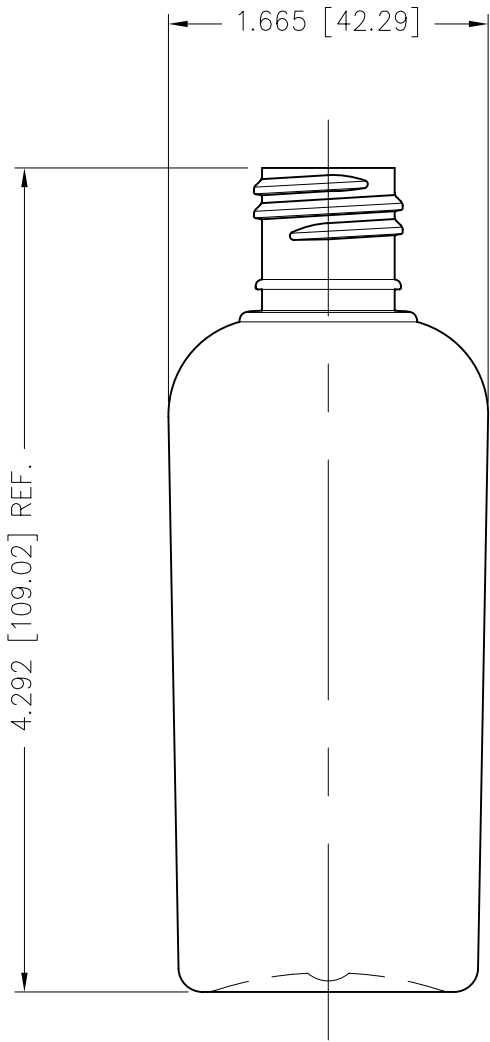
NECK FINISH:	M20 SP410	GRAM WEIGHT:	9.5g±1.0g
BOTTLE MAT.:	PETE	OVER-FLOW:	65ml±3ml
DESC.	2oz OVAL VALE		

Matrix
PACKAGING INC.

PROJECT NO.: 4-3854-P

SCALE: 1:1

REV.: B



NECK FINISH:	M20 SP415	GRAM WEIGHT:	9.5g±1.0g
BOTTLE MAT.:	PETE	OVER-FLOW:	65ml±3ml
DESC.	2oz OVAL VALE		



PROJECT NO.: 4-3854-P

SCALE: 1:1

REV.: B