

NECK FINISH:	M22-SP400	GRAM WEIGHT:	29.0g±2.0g
BOTTLE MAT.:	HDPE	OVER-FLOW:	440ml±11ml
DESC.	400ml CYLINDER		

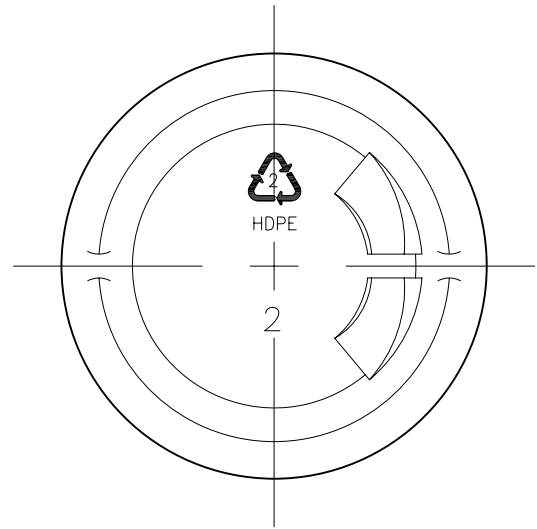
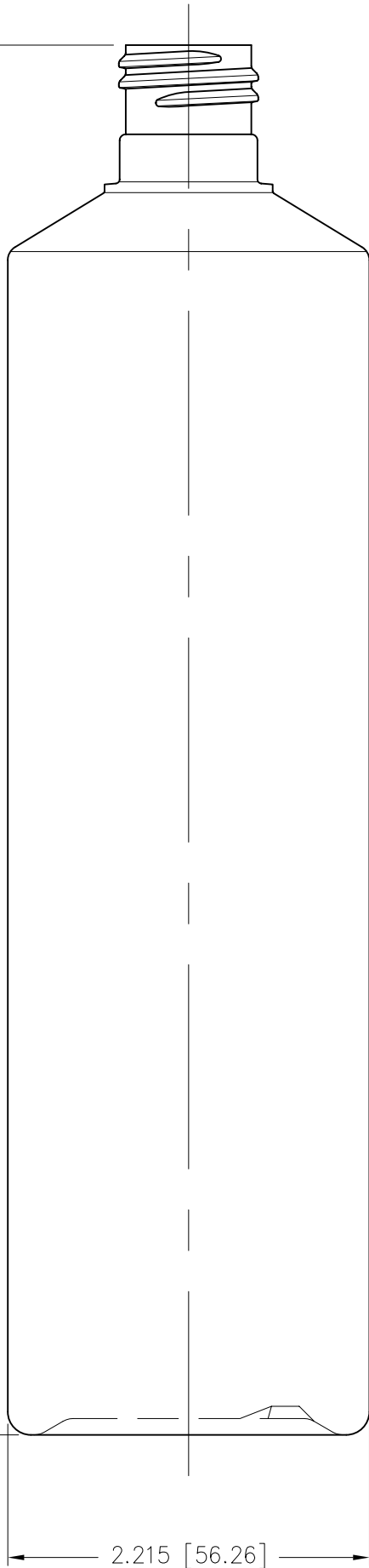


PROJECT NO.: 4-25747-30

SCALE: 1:1

REV.: C

8.504 [216.00] REF.



NECK FINISH:	M22-SP415	GRAM WEIGHT:	29.0g±2.0g
BOTTLE MAT.:	HDPE	OVER-FLOW:	440ml±11ml
DESC.	400ml CYLINDER		



PROJECT NO.: 4-25747-30

SCALE: 1:1

REV.: C