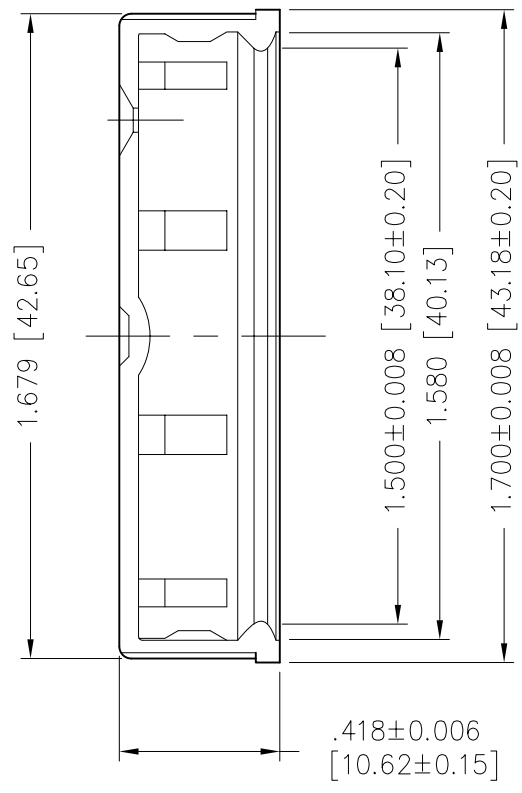
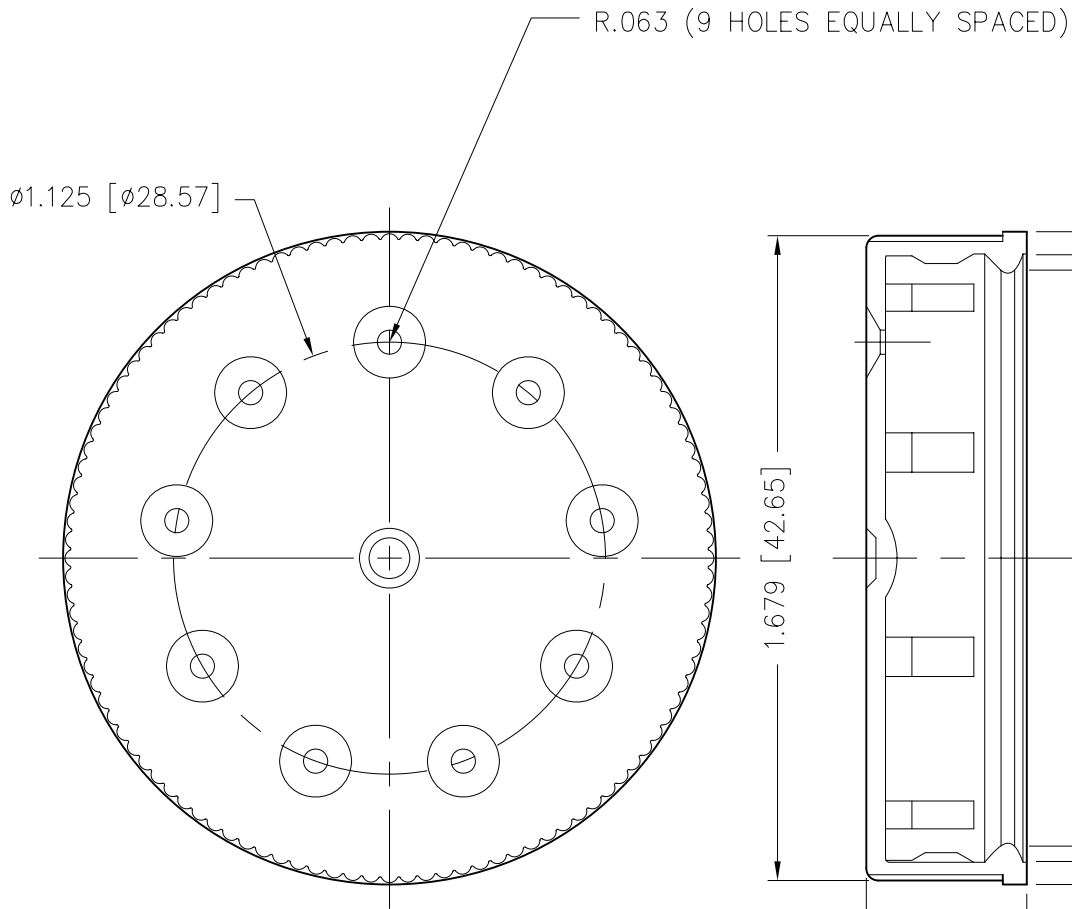
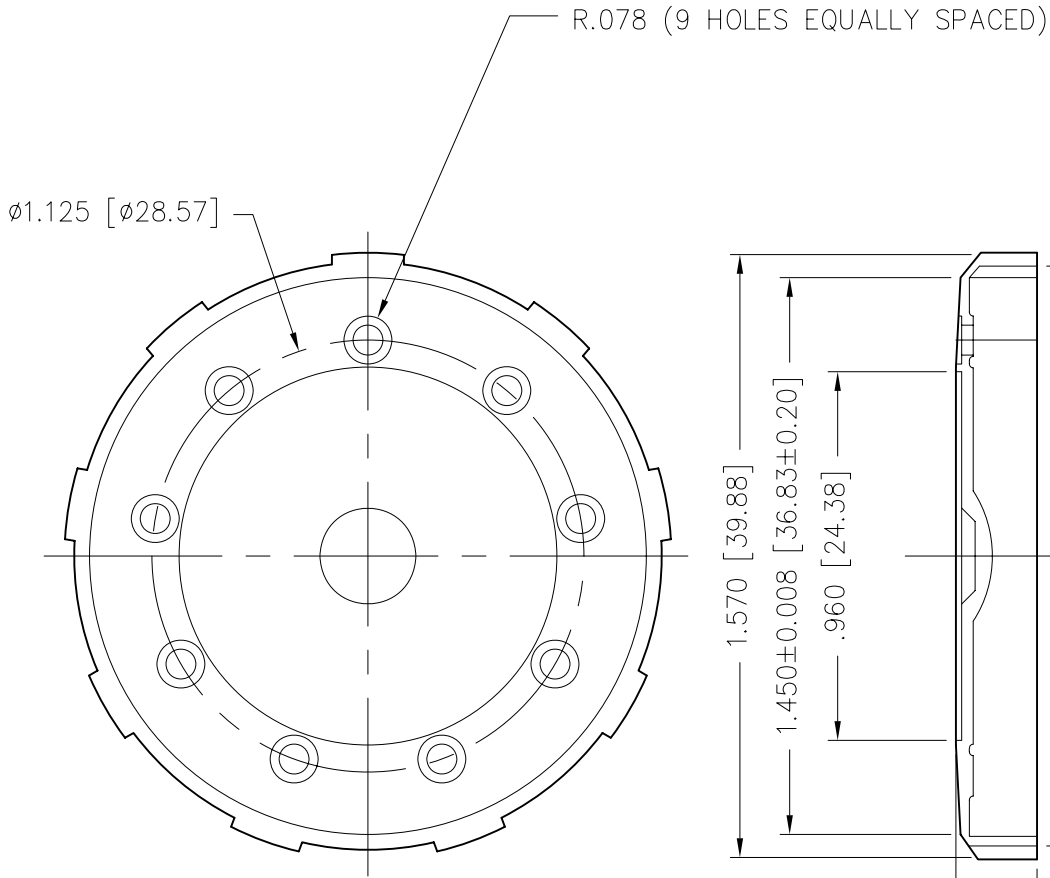


SCALE 2:1

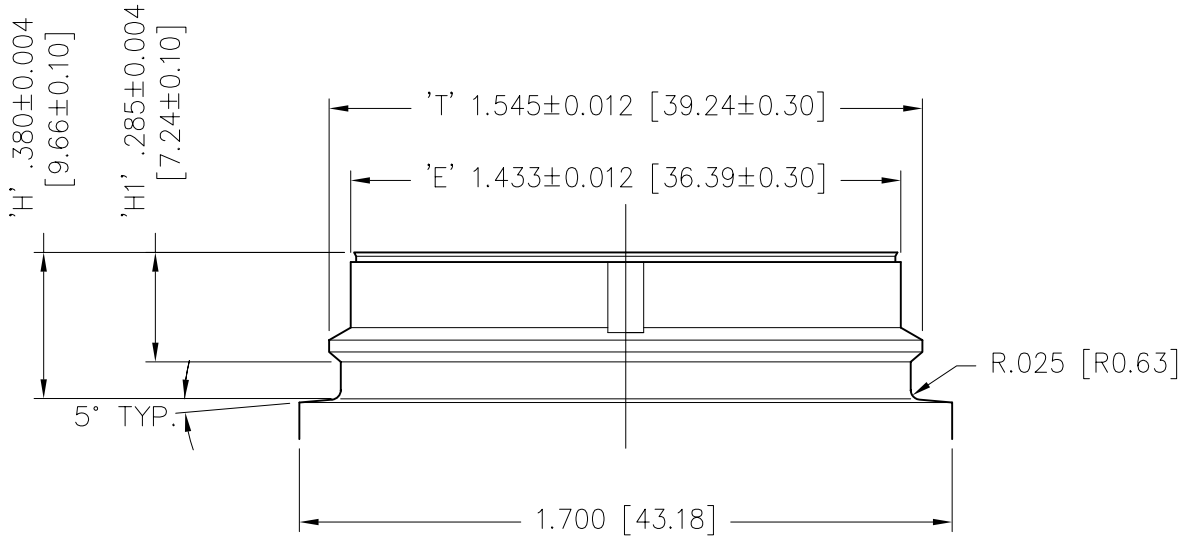
NECK 43mm POWDER	
FINISH:	SCALE: 1:1
CLOSURE	MAT.: HDPE/LDPE
DESC. 43mm SIFTER ASSEMBLY	
Matrix PACKAGING INC.	
PROJECT NO. 6817/6818	
STOCK NO.:	REV.: E



NECK: 43mm POWDER	
FINISH:	
CLOSURE: LDPE	SCALE: 2:1
MAT.:	
DESC. 43mm SIFTER (OUTER)	
PROJECT NO. 6818	
STOCK NO.:	REV.: E

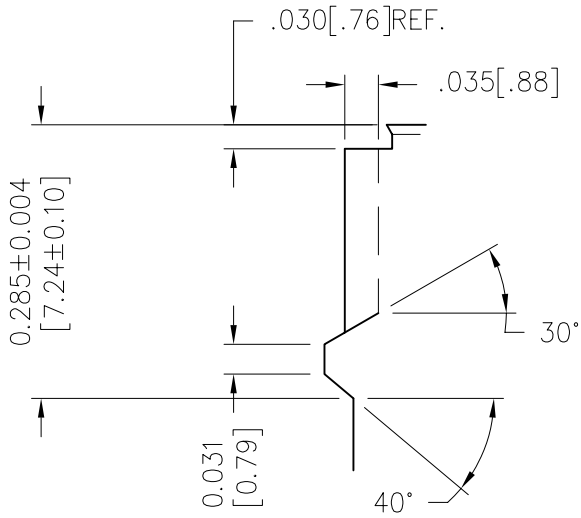


NECK: 43mm POWDER	
FINISH:	
CLOSURE: HDPE	SCALE: 2:1
MAT.:	
DESC. 43mm SIFTER (INNER)	
Matrix PACKAGING INC.	
PROJECT NO. 6817	
STOCK NO.:	REV.: E



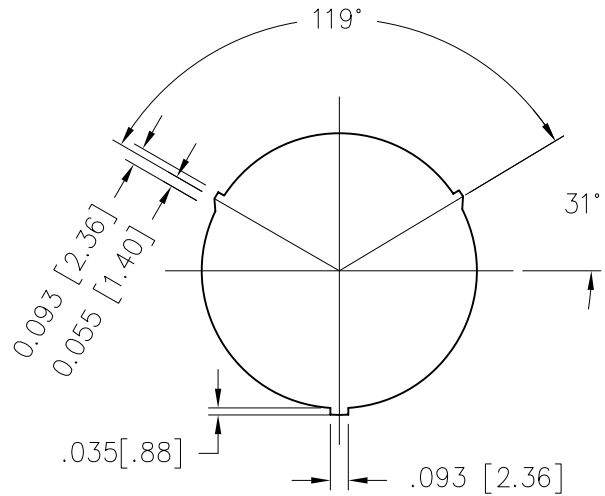
NECK DETAIL

SCALE 2:1



LUG DETAIL

SCALE 5:1



LUG SECTION

SCALE 1:1

NECK FINISH:	43 POWDER	GRAM WEIGHT:	
BOTTLE MAT.:	HDPE	OVER-FLOW:	
DESC.	43mm SIFTER NECK FINISH		
Matrix PACKAGING INC.			
PROJECT NO.: 6817/6818			
SCALE: 1:1		REV.: E	