

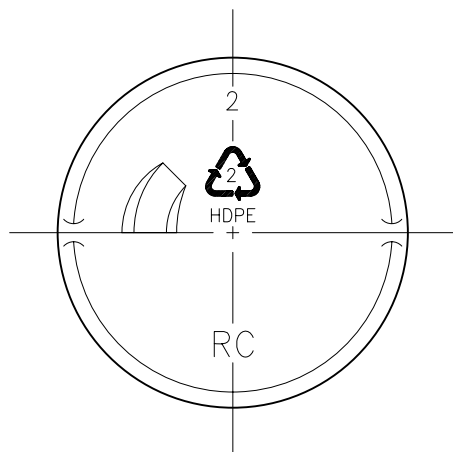
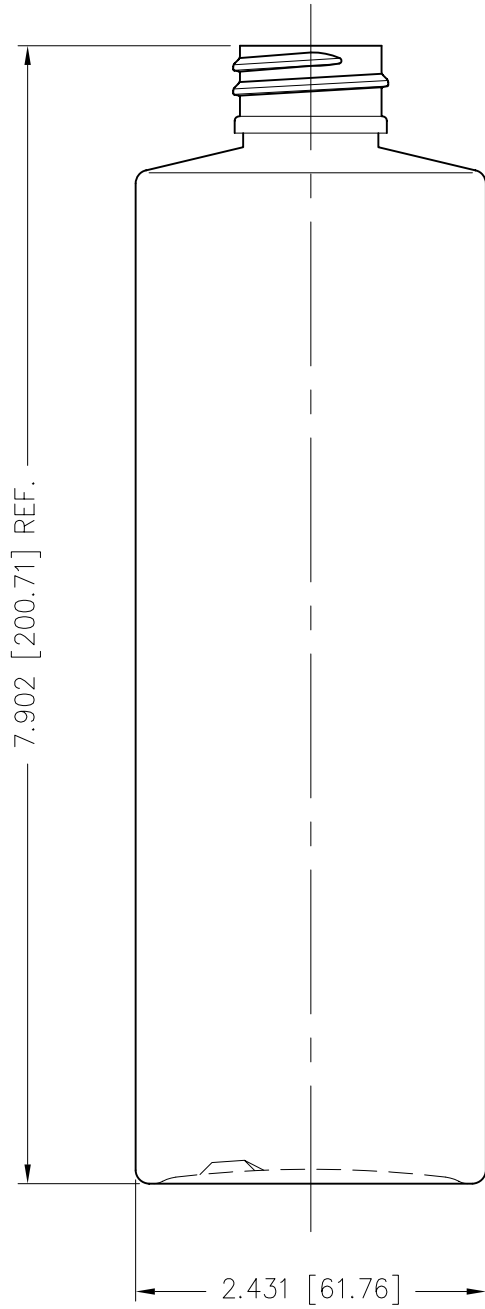
NECK FINISH:	M24-SP415	GRAM WEIGHT:	36.g±2.5g
BOTTLE MAT.:	HDPE	OVER FLOW:	505.5ml±11ml
DESC. 450ml HDPE CYLINDER			



PROJECT NO.: 4-25089-3

SCALE: 3:4

REV.: A



NECK FINISH:	M28-SP410	GRAM WEIGHT:	37.5g±2.5g
BOTTLE MAT.:	HDPE	OVER FLOW:	510ml±11ml
DESC. 450ml HDPE CYLINDER			



PROJECT NO.: 4-25089-3

SCALE: 3:4

REV.: A