

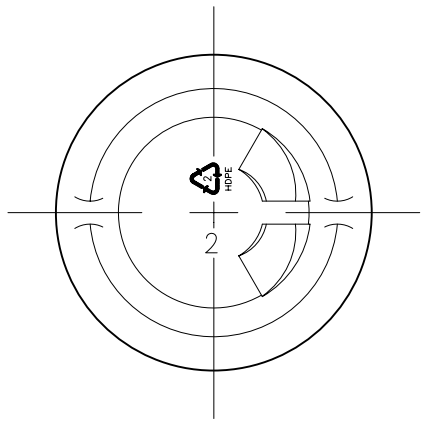
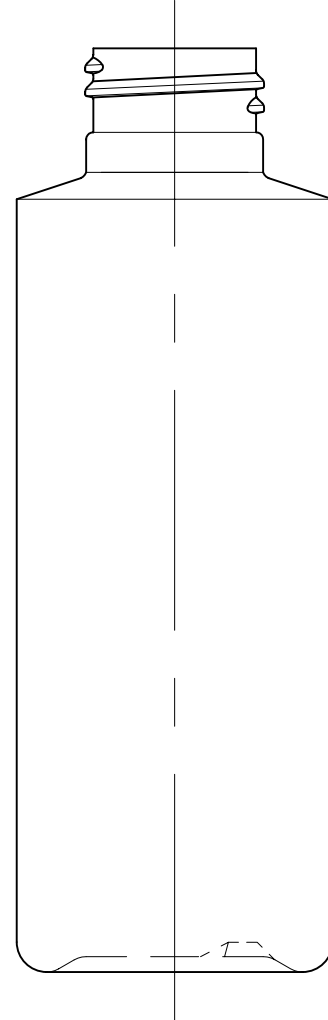
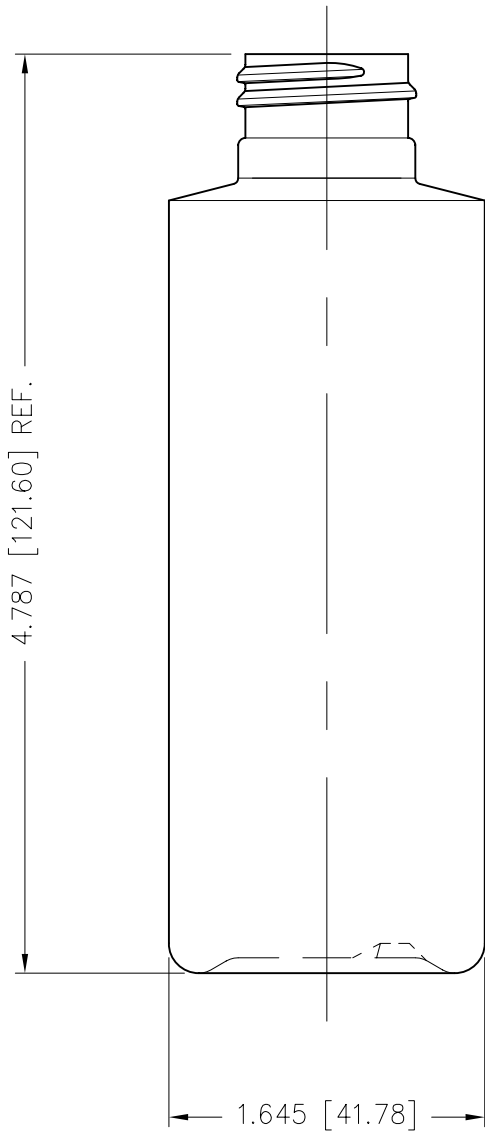
NECK FINISH:	M20 SP410	GRAM WEIGHT:	11.0g±1.0g
BOTTLE MAT.:	HDPE/LDPE	OVER-FLOW:	130ml±5ml
DESC.	4oz CYLINDER		

**Matrix**  
PACKAGING INC.

PROJECT NO. 4-17569-3

SCALE: 1:1

REV.: C



NECK FINISH:	M24 SP410	GRAM WEIGHT:	11.0g±1.0g
BOTTLE MAT.:	HDPE/LDPE	OVER-FLOW:	130ml±5ml
DESC.	4oz CYLINDER		



PROJECT NO. 4-17569-3	
SCALE: 1:1	REV.: C