

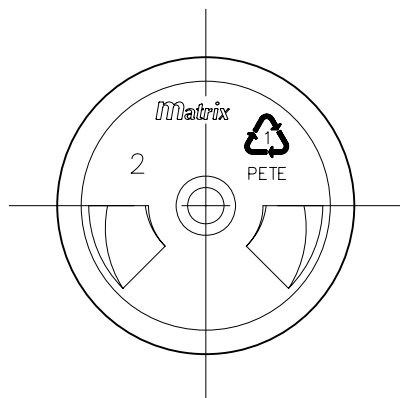
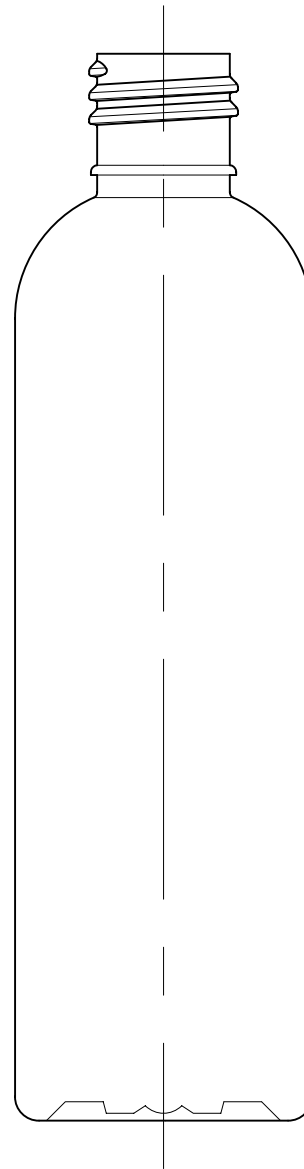
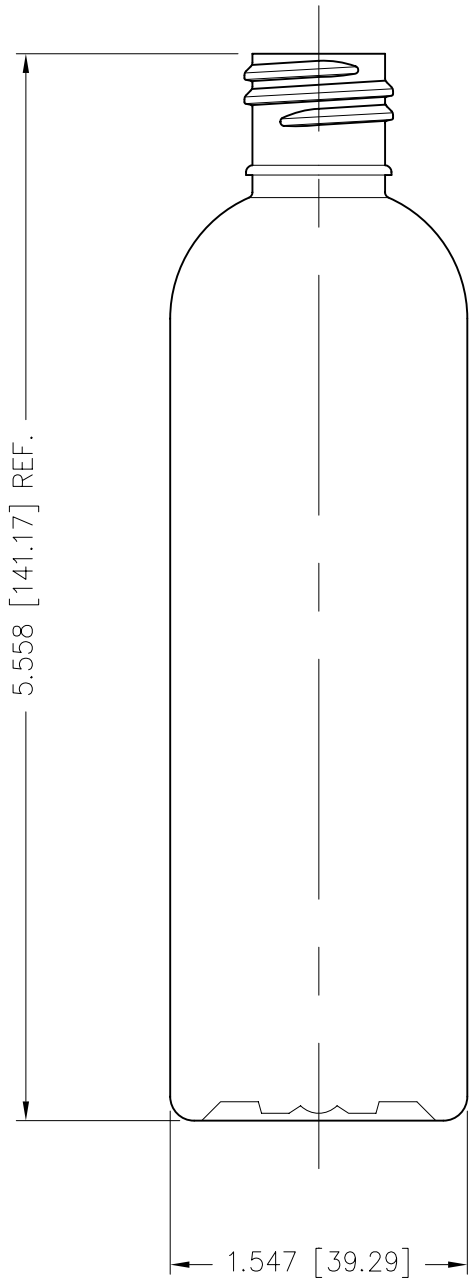
NECK FINISH:	M20 SP410	GRAM WEIGHT:	15.0g±1.0g
BOTTLE MAT.:	OPET	OVER-FLOW:	134ml±5ml
DESC.	4oz OPET BULLET		

Matrix
PACKAGING INC.

PROJECT NO.: 4-4244-P

SCALE: 1:1

REV.: A



NECK FINISH:	M20 SP415	GRAM WEIGHT:	15.3g±1.0g
BOTTLE MAT.:	OPET	OVER FLOW:	135.4ml±5ml
DESC.	4oz OPET BULLET		

Matrix
PACKAGING INC.

PROJECT NO.: 4-4244-P

SCALE: 1:1

REV.: A