

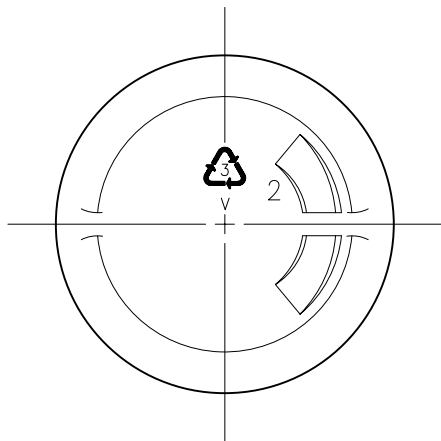
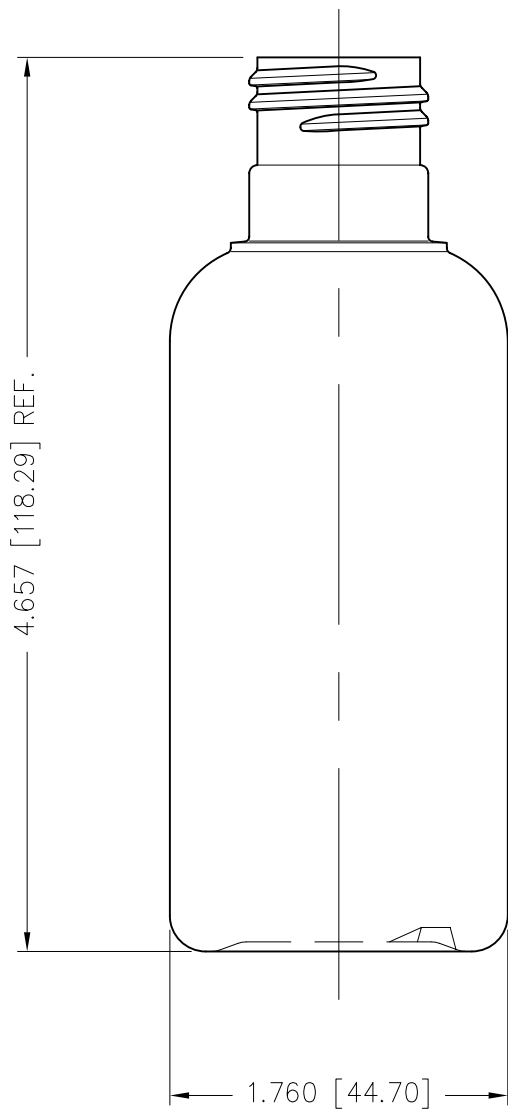
NECK FINISH:	M24-SP410	GRAM WEIGHT:	14.0g±1.0g
BOTTLE MAT.:	PVC	OVER-FLOW:	136ml±5ml
DESC. 4oz. BOSTON RD.			

Matrix
PACKAGING INC.

PROJECT NO.: 4-4474-P

SCALE: 1:1

REV.: A



NECK FINISH:	M24-SP415	GRAM WEIGHT:	14.0g±1.0g
BOTTLE MAT.:	PVC	OVER-FLOW:	139.5ml±5ml
DESC. 4oz. BOSTON RD.			



PROJECT NO.: 4-4474-P

SCALE: 1:1

REV.: A