

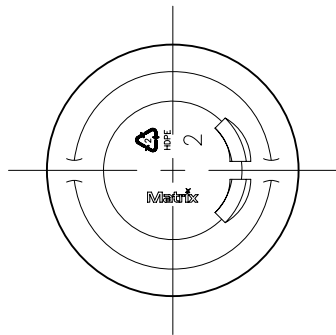
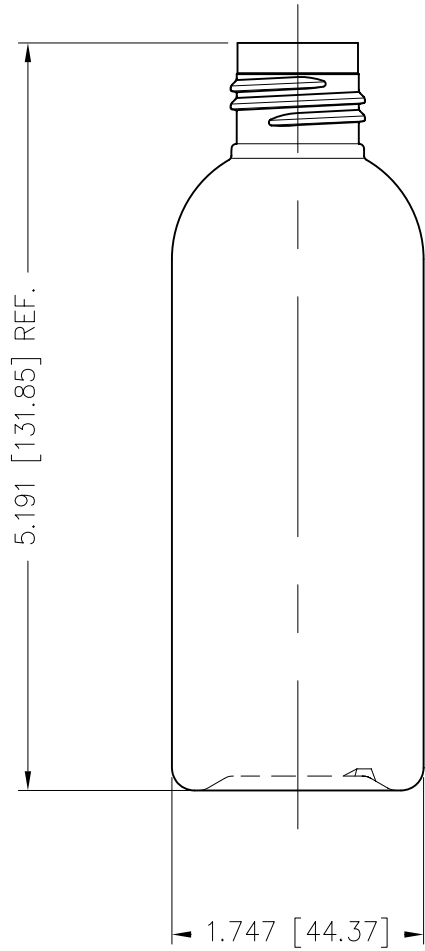
|                  |           |              |             |
|------------------|-----------|--------------|-------------|
| NECK FINISH:     | M24-SP410 | GRAM WEIGHT: | 19.5g±1.5g  |
| BOTTLE MAT.:     | HDPE      | OVER-FLOW:   | 149.5ml±5ml |
| DESC. 5oz BULLET |           |              |             |



PROJECT NO.: MATPAC-0086

SCALE: 3:4

REV.: E



|              |            |              |            |
|--------------|------------|--------------|------------|
| NECK FINISH: | 24-415 SP. | GRAM WEIGHT: | 19.5g±1.5g |
| BOTTLE MAT.: | HDPE       | OVER-FLOW:   | 151ml±5ml  |
| DESC.        | 5oz BULLET |              |            |

**Matrix**  
PACKAGING INC.

PROJECT NO.: MATPAC-0086

SCALE: 3:4

REV.: E