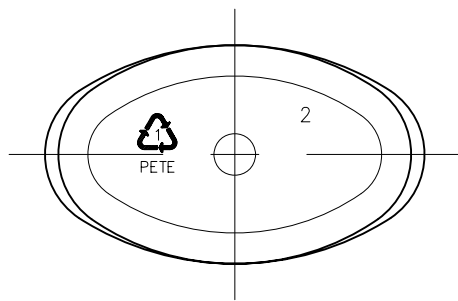
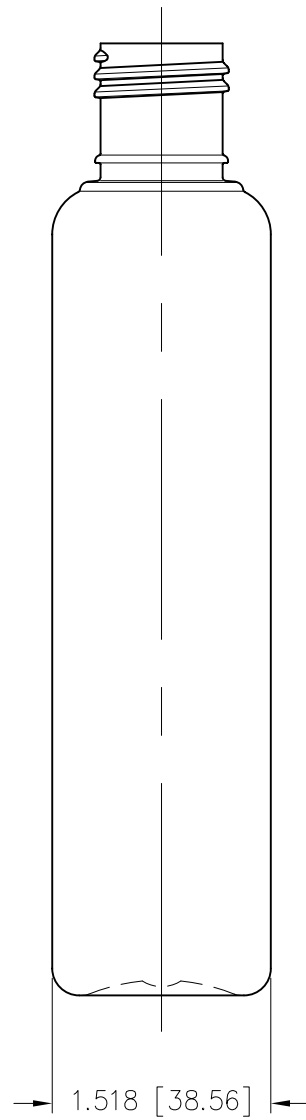
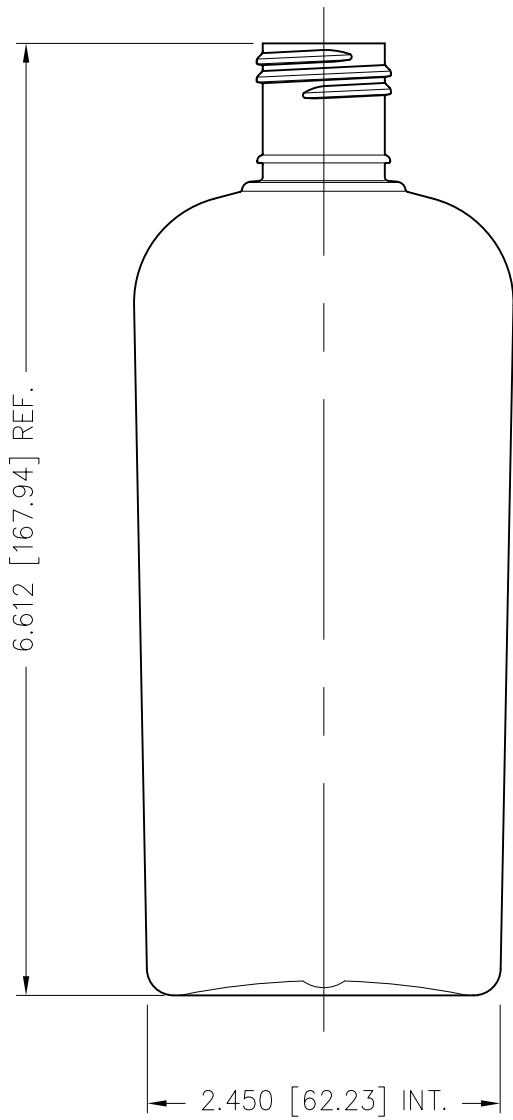


NECK FINISH:	M24-410	GRAM WEIGHT:	23.5g±1.5g
BOTTLE MAT.:	PET	OVER-FLOW:	269ml±7ml
DESC. 8oz MODIFIED OVAL			



PROJECT NO.: 4-4527	
SCALE: 3:4	REV.: E



NECK FINISH:	M24-415	GRAM WEIGHT:	23.5g±1.5g
BOTTLE MAT.:	PET	OVER-FLOW:	271ml±7ml
DESC.	8oz MODIFIED OVAL		



PROJECT NO.: 4-4527

SCALE: 3:4

REV.: E