

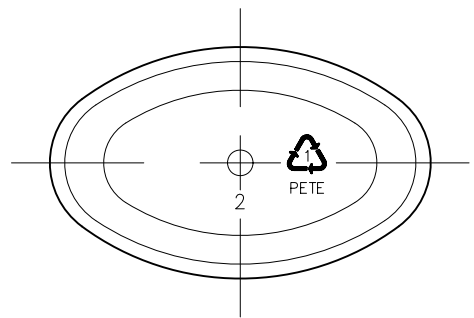
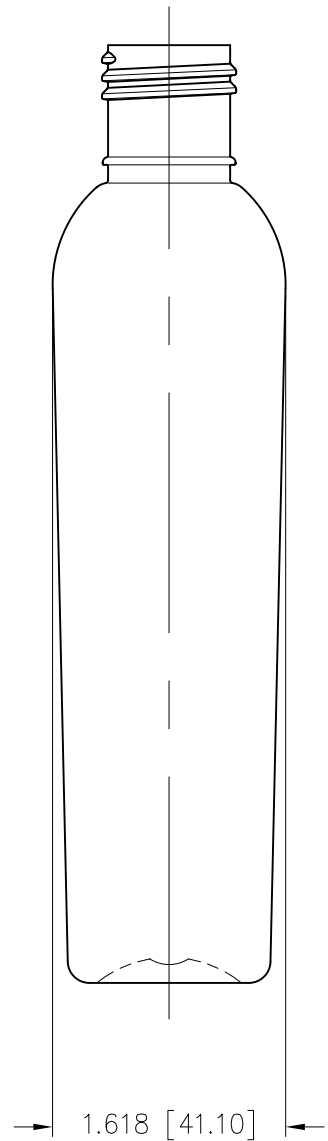
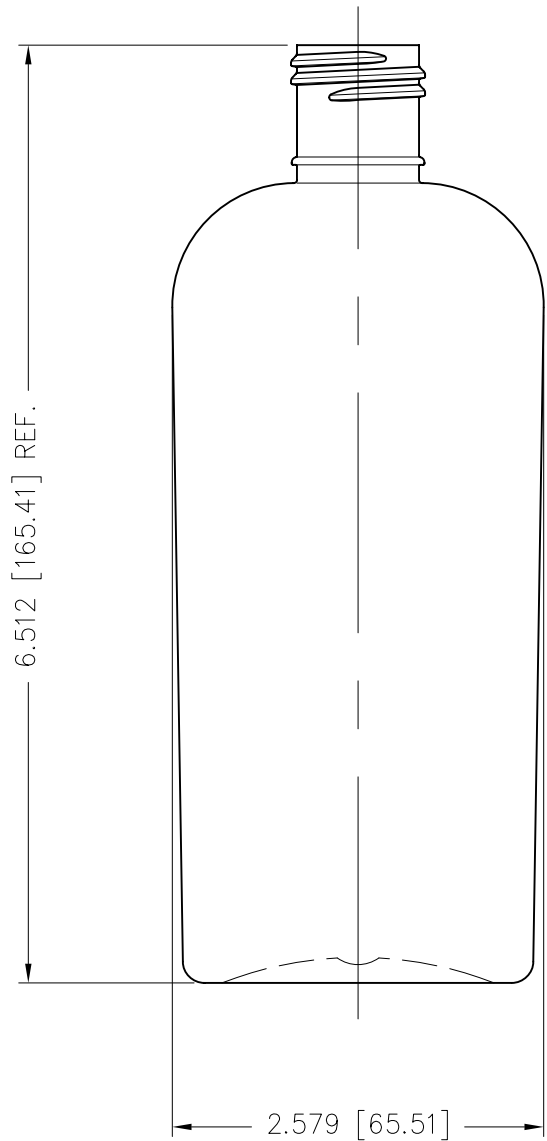
NECK FINISH:	M24-SP410	GRAM WEIGHT:	23.5g±2.0g
BOTTLE MAT.:	PETE	OVER-FLOW:	253ml±7ml
DESC. 8oz VALE OVAL			

Matrix
PACKAGING INC.

PROJECT NO.: 4-3415-P

SCALE: 3:4

REV.: E



NECK FINISH:	M24-SP415	GRAM WEIGHT:	23.5g±2.0g
BOTTLE MAT.:	PETE	OVER-FLOW:	255ml±7ml
DESC. 8oz VALE OVAL			
PROJECT NO.: 4-3415-P			
SCALE: 3:4			REV.: E