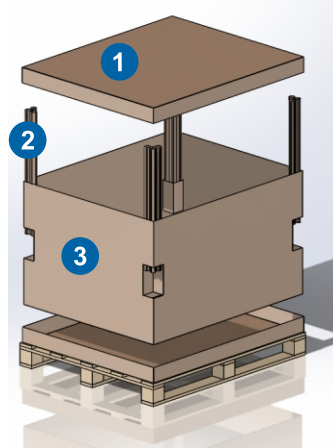


SONOBOX Integrated Folding Packaging

Sonobox is a integrated packaging exclusive of Sonoco. It is an excellent option for logistic and stacking protection in different industry sectors.

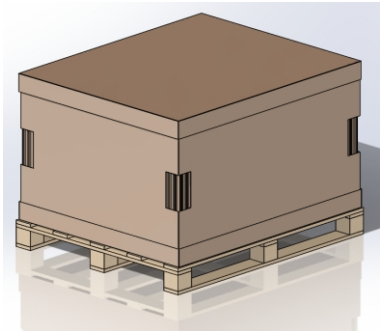
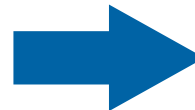
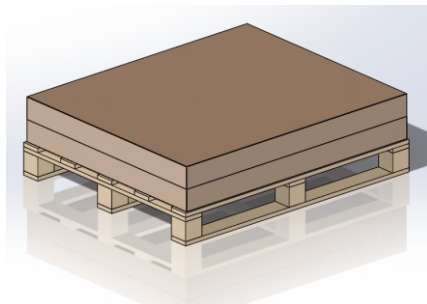
Sonobox elements

1. Top and bottom lid
2. Sonopost
3. Folding sleeve



Advantages (Sonobox vs wooden crate)

- * Folding deliveries
- * Space optimization
- * Fast assembly



- * Lower cost material



- * Lightweight
- * Double stacking for transportation
- * Up to 2000 lbs for multiple levels in warehouse



- * Environment friendly
- * Heat treatment no required

