

14" UTILITY SPOOLS

SONOCO
UTILITY SPOOLS
ARE DESIGNED TO
PROVIDE A
LIGHTWEIGHT YET
DURABLE AND
INEXPENSIVE
PACKAGE FOR
INSULATED WIRE,
CORDAGE AND
OTHER FILAMENTS.



New

14" with Snap-On Label Disk

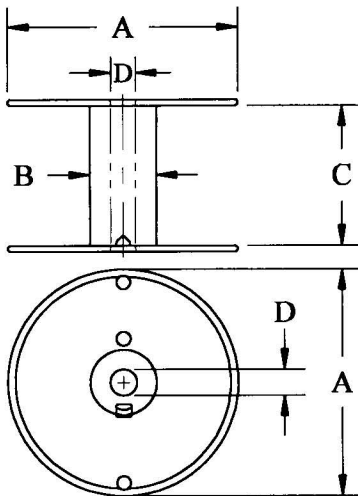
Typical Applications:

THHN Wire	Coaxial Cable
CATV Wire	Speaker Wire
Rope	Chain
Hose	Packing Material
Fabrics	Tubing

Sonoco

87 Center Street
Chatham, NY 12037
Tel: (518) 392-1700
Fax: (518) 392-6213
E-Mail: wire@sonoco.com
Website: www.sonoco.com

SPECIFICATIONS



A Flange Dia.	B Barrel Dia.	C Standard Traverse Lengths	D Shaft Hole Size
14"	5"	2" to 12"	1-1/4"-2"

• Snap-On Label Disk Available

Sonoco Crellin Utility Spools are designed to provide a durable, attractive, one-way shipping package for a wide range of products.

Listed are significant field-reported features and benefits that relate to both your manufacturing and handling procedures as well as your customers.

Molded in High Impact Materials

- ◆ Rust-free
- ◆ Absorbs minor impact shocks without losing structural integrity
- ◆ Appearance
- ◆ Recyclable
- ◆ Quiet during winding
- ◆ No bent flanges
- ◆ Splinter-free, smooth surface

Injection Molded Parts

- ◆ Tight dimensional accuracy eliminates inconsistencies which jam winding equipment.

Balanced Weight and Design

- ◆ Allows for high speed winding

Heavy-Duty Construction

- ◆ Strength
- ◆ Low Flange Deflection

Welded Assembly

- ◆ Flange separation resulting in wire loss and customer complaints is eliminated.
- ◆ Provides one integral part

Smooth Edges and Corners

- ◆ Safety during handling
- ◆ Wire insulation is not damaged by sharp starting hole, eliminating possible spark test problems.

Colored or Pad-Printed Flanges

- ◆ One or two color printing

Low Minimums

- ◆ Non-decorated standard sizes

SONOCO CRELLIN

THE NAME FOR QUALITY AND INNOVATION

For more than 50 years, wire producers from around the world have relied on the Sonoco Crellin family of plastic spools and reels. Today, our family includes the industry's broadest range of sizes, from small precision spools for wire as fine as 56AWG to 30" reels able to carry over 1,000 pounds.

A new standard was set when Crellin, a high technology manufacturer of injection molded and extruded plastics, united with Sonoco, a \$2.7 billion global packaging leader. With eleven operations in North America and Europe, Sonoco Crellin now serves the injection and extrusion plastic packaging needs of diverse and worldwide industries, including wire and cable, textile, filtration, performance film and foodservice



87 Center Street
 Chatham, NY 12037
 Tel: (518) 392-1700
 Fax: (518) 392-6213
 E-Mail: wire@sonoco.com
www.sonoco.com